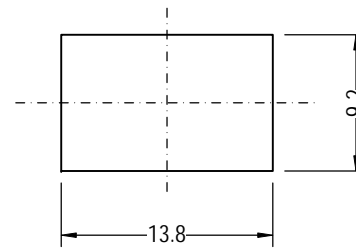
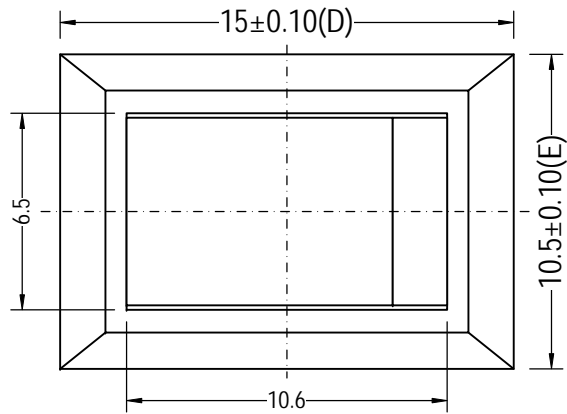


# PANEL CUT OUT

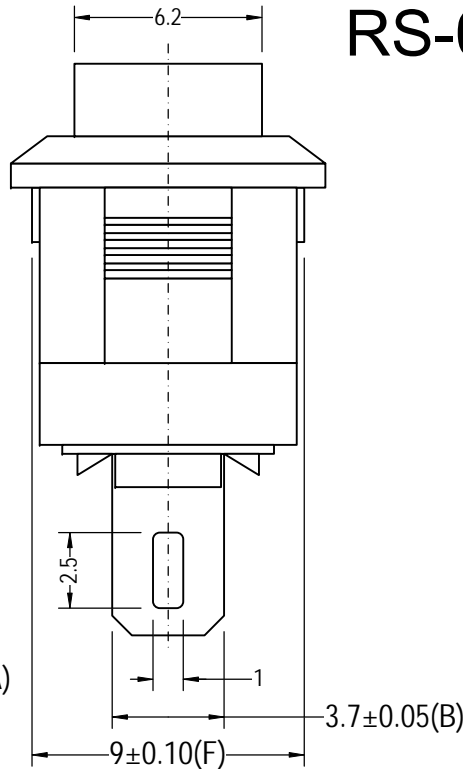
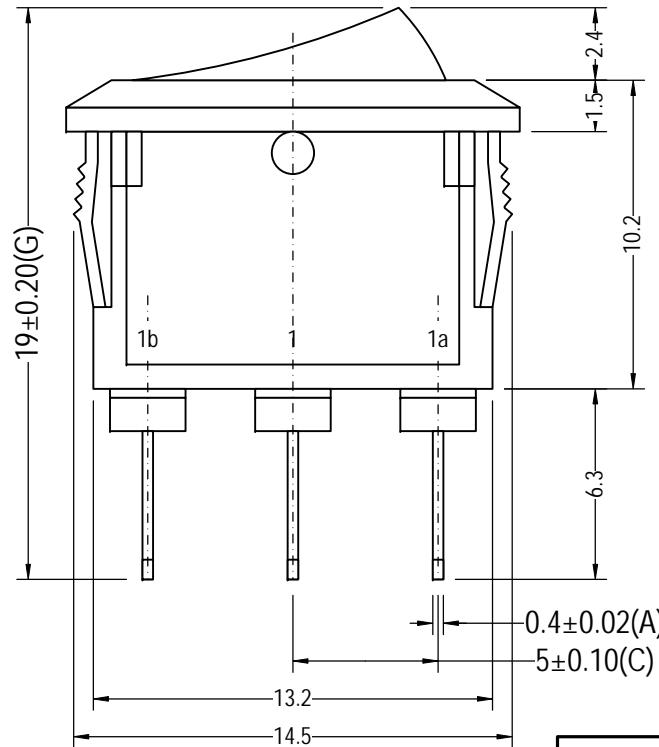
# General specifications



Rating	: A.C. 250V 3A A.C. 125V 6A
Contact R.[max]	: 50mΩ MAX
Insulation R.[min]	: D.C. 500V 100MΩ
Withstand VOL.	: A.C. 1,500V 1minute
Operating force	: 450±100g
Life cycle[max]	: 10,000 CYCLES



# RS-001G



CIRCUIT 開關回路	
A	ON-OFF 2PIN
B	ON-ON 3PIN

COLOR OF ROCKER 按鈕顏色	
CODE	COLOR
B	BLACK 黑色
H	GRAY 灰色

OPTION OF MARKING 按鈕印刷		
1	3	4

COLOR OF HOUSING 本體顏色	
CODE	COLOR
B	BLACK 黑色
H	GRAY 灰色

8	tortuous terminal	Copper strip 0.4mm H62
7	contact bridge	Copper strip 0.4mm H62
6	middle terminal	Copper strip 0.4mm H62
5	contact	AgZnO12/Cu
4	plunger	PA66-301-G0 NYLON
3	spring	steel wire
2	push button	PA66-301-G0 NYLON
1	base	PA66-301-G0 NYLON
NO	Description	Material

TOP WILLING CO., LTD.

比例 SCALE	1 : 4
單位 DIMENSION	m m
DO NOT SCALE DRAWING TOLERANCES UNLESS OTHERWISE	
UP TO 10	±0.3
ABOVE 10 TO 100	±0.5
ABOVE 100	±0.8
ANGULAR DIMENSIONS	±5°

品名 TITLE	ROCKER SWITCH		
型號 MODEL	RS-001G (KCD11) SERIES		
繪圖 DRAWN	MKL 2006/05/26	核准 APPROVED	HSH 2006/05/26
版次 REVISION	A	日期 DATE	2006/05/26