

FLDNY Crimp Flag Type Terminal Connector



FLDNY Crimp Flag Type Terminal Connector

The FLDNYX-XXXX Serie is a red, blue, yellow female Crimp Terminal made of brass with tin plated finish and vinyl insulation. This FLDN series terminal accepts 22 to 10 AWG wire gauge.

Features:

- Terminal Type: Female Quick Disconnect
- Tab Size: 6.35mm x 0.81mm
- Wire Size AWG Min: 22 ~ 10 AWG
- Insulator Colour: Red, Blue, Yellow
- Insulator Material: Nylon
- Terminal Material: Brass

Feature/Specs:

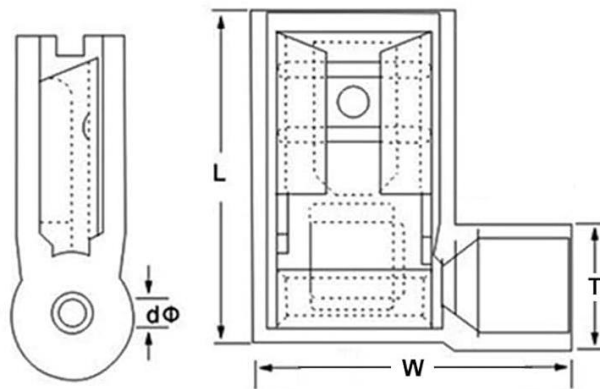
SL No.	Parameter	Value and Unit
1	Material	Tin Plated Brass, Nylon Insulation
2	Part No	FLDNY1-250, FLDNY2-250, FLDNY5.5-250
3	Connector Gender	Female
4	Voltage Range	0 ~ 250V
5	Current Range	10 ~ 24A
6	Wire Gauge	22 ~ 10 AWG
7	Termination Type	Standard Crimp
8	Tab Size	6.35mm x 0.8mm
9	Temperature Range	105°C
10	Colour	Red, Blue, Yellow

Application:

- Industrial, Communications & Networking
- Disconnects Electrical Wiring
- Battery Connector

FLDNY Crimp Flag Type Terminal Connector

Dimensions: in mm



Part No	Wire Range		Size (mm)					Maximum Current	Colour
	AWG	mm ²	Insert Specifications	L	W	T	d ϕ		
FLDNY1-250	22 - 18	0.5 - 1.5	0.8x6.35	17	15	6	1.7	250V/10A	Red
FLDNY2-250	16 - 14	1.5 - 2.5	0.8x6.35	17	15	7	2.3	250V/15A	Blue
FLDNY5.5-250	12 - 10	4 - 6	0.8x6.35	24	18	7.5	3.4	250V/24A	Yellow