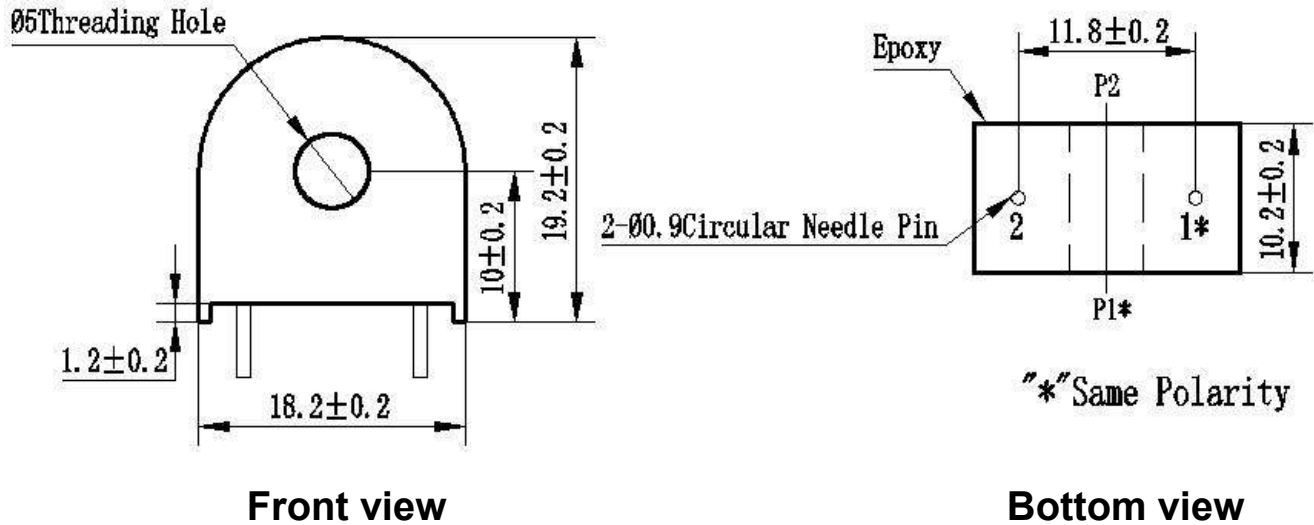


# ZMCT102 Current Transformer

Small size, high accuracy, good consistency, for current and power measurement

## Structural parameter:



## The main technical parameters:

Model	ZMCT102
input current	0-20A (100Ω)
Output current	2.5mA at 5A
turns ratio	2000:1
phase angle error	≤20' (input 1A, sampling resistor 100Ω)
linearity	0.2% (5%~120% of 5A)
Permissible error	-0.2%≤f≤+0.2% (input 1A, sampling resistor 100Ω)
application	current and power measurement
isolation voltage	4500V
Encapsulation	Epoxy
installation	PCB mounting (Pin length>3mm)
operating temperature	-40℃~+85℃

## Direction for use:

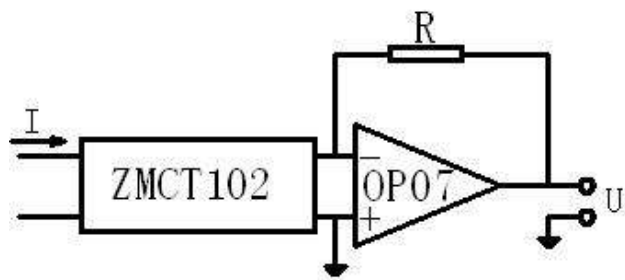
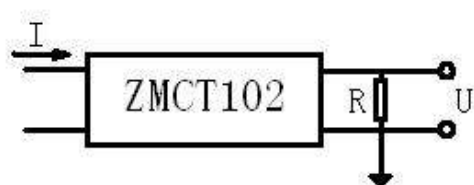


Figure I



$$U = \frac{I}{2000} \cdot R$$

I: input current  
R: sampling resistor  
U: sampling voltage

Figure II

1. The typical usage of the product is for the active output ( Figure I ) . R is a sampling resistor
2. The product can be directly through the resistance sampling , easy to use ( Figure II ).