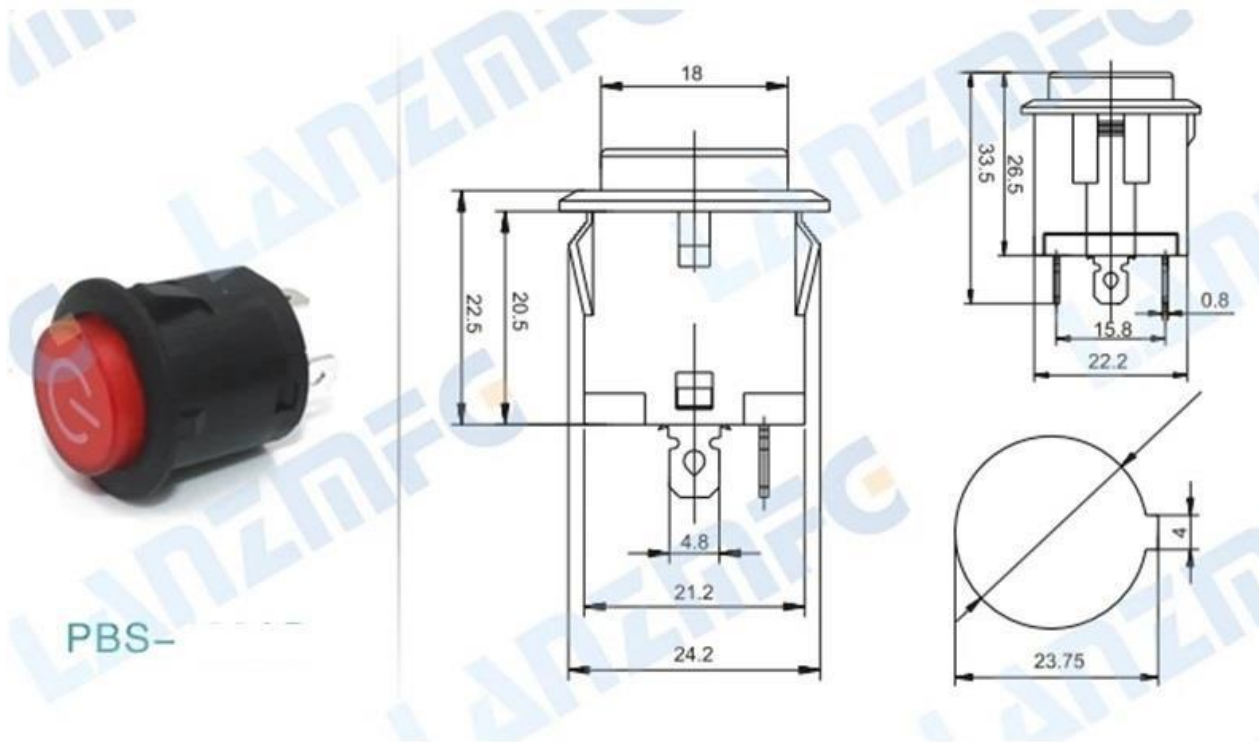


PRODUCT DESIGN DRAWINGS

PRODUCT DRAWINGS



TECHNICAL PARAMETER

TECHNICAL PARAMETERS



Female Socket

BRAND	LANZMFG	WITHSTAND VOLTAGE	AC1500V/1MIN
CERTIFICATION	CCC CQC CE UL	AMBIENT TEMPERATURE	-20°C~55°C
RATING VOLTAGE	3A 6A 10A 15A 20A 25A 220V	OPERATIONAL POWER	4N~8N
TEMPERATURE RANGE	-10°C~50°C	SHELL MATERIAL	NYLON/PA66
MECHANICAL LIFE	≥ 30000TIMES	BUTTON MATERIAL	NYLON/PA66/ABS
ELECTRICAL LIFE	≥ 10000TIMES	CONTACT MATERIAL	SILVER ALLOY
CONTACT RESISTANCE	≤ 20mΩ	CONTACT MATERIAL	SILVER-PLATED BRASS
INSULATION RESISTANCE	100MΩ/MIN		