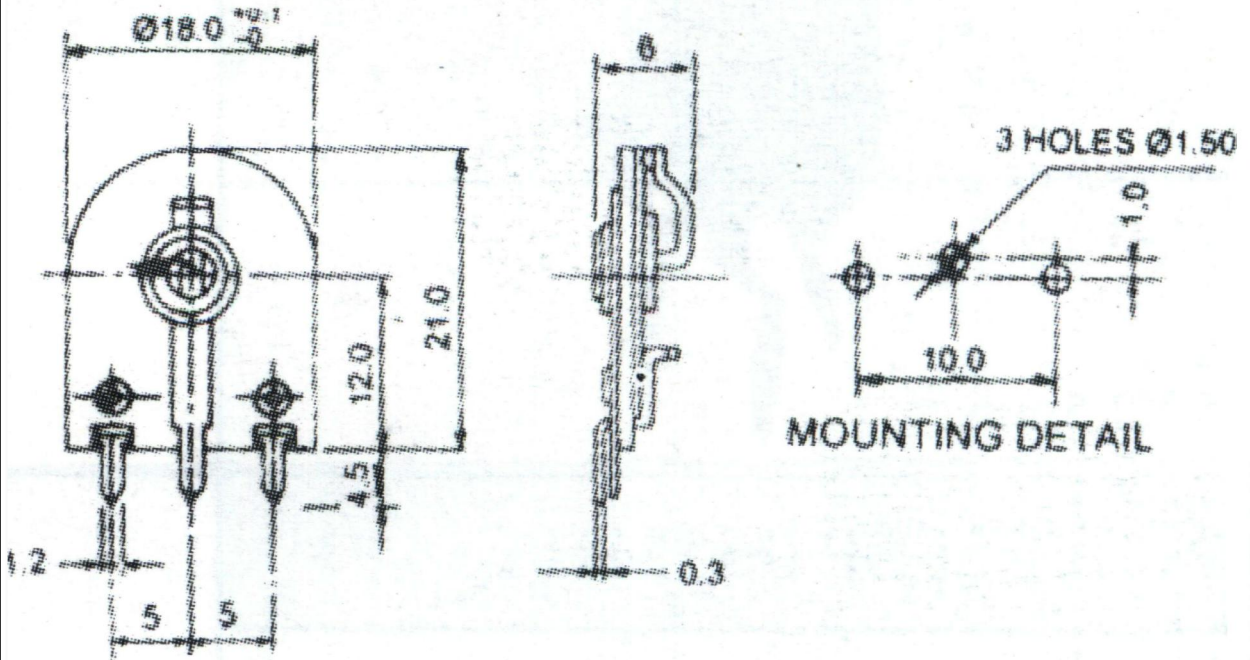


Copyright Elcon [India]. Unauthorised use and distribution of this document is strictly forbidden.



PART NAME:- EP185

PREPARED BY

MAHESH

REVIEWED BY

A.S BISHI

TOLERANCE

UP TO 10 : ± 0.3
 OVER 10 TO 100 : ± 0.5
 OVER 100 : ± 1

DATE

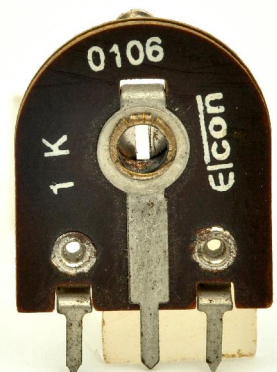
21.08.11

UNIT

MM

SCALE

N.T.S.



CARBON FILM TRIMMER POTENTIOMETERS

SPECIFICATIONS

Specification \ Model	EP083/085	EP083S/085S	EP161	EP183/185
Rotation angle	$230^{\circ} \pm 10^{\circ}$	$230^{\circ} \pm 10^{\circ}$	$300^{\circ} \pm 10^{\circ}$	$230^{\circ} \pm 15^{\circ}$
Torque	50 - 300 gf.cm	50 - 350 gf.cm	50 - 300 gf.cm	50 - 300 gf.cm
Stopper Strength	$\geq 1\text{kgf.cm}$	$\geq 1\text{kgf.cm}$	$\geq 1\text{kgf.cm}$	$\geq 1\text{kgf.cm}$
Resistance range	100 Ω -1M Ω	100 Ω -1M Ω	500 Ω -1M Ω	500 Ω -1M Ω
Tolerance	$\pm 30\%$	$\pm 30\%$	$\pm 20\%$	$\pm 20\%$
Power rating	0.1W	0.1W	0.25W	0.25W
Voltage rating	100V AC	100V AC	250V AC	200V AC
Sliding Noise	47mV max.	47mV max.	47mV max.	47mV max.
Resistance to Soldering heat	260 $^{\circ}$ c-3 Second	260 $^{\circ}$ c-3 Second	260 $^{\circ}$ c-3 Second	260 $^{\circ}$ c-3 Second