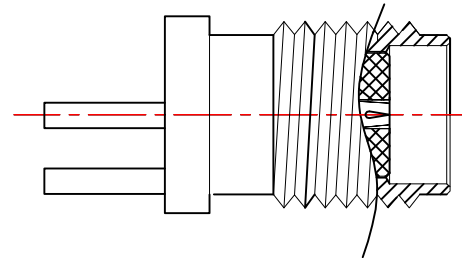
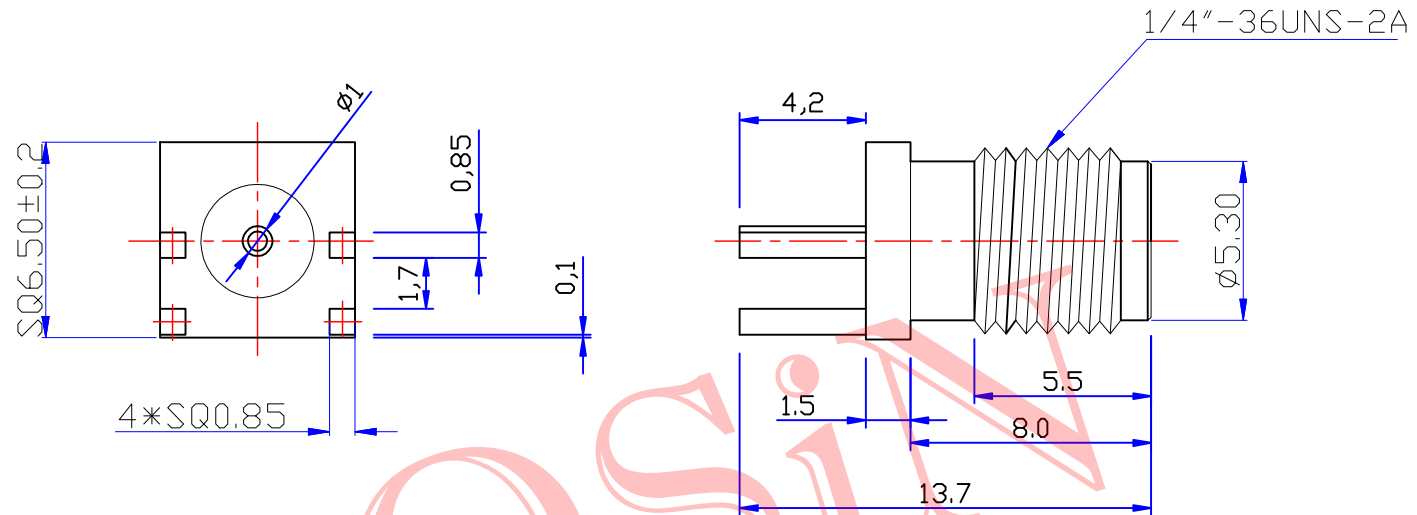




Product NO.		DOSIN-806-0134		
REV	DESCRIPTION	DWN	DATE	APPROVEN
A	First issue	Mr. Wang	2015/11/22	John kine
B				



### Specifications:

- IMPEDANCE: 50 Ohms
- Frequency range: 0~6GHZ
- VSWR: 1.5MAX
- Working voltage: 500V rms @ sea level
- Insulation resistance: 5000 Ohms min
- Temperature range: -55°C TO +155°C
- Relative temperature: ≤95% (40° C ± 2° C)

1	Body	Brass	Au: 1u"
2	Insulator	TEFLON	White
3	Center contact	Phosphor	Au: 3u"
4			
5			
6			
7			
8			
9			
10			
NO	Component Number	Material	Finish

NOTE:		Tolerance	X	±0.15
			X.X	±0.10
			X.XX	±0.05
			Angular	±5°
DRAWN		View		
Zelin. Zhang				
CHECKED		UNIT	MM	
APPROVALS		SCALE	1:1	
John Kine				

**Dosin Industrial (HK) Co Ltd**  
 东莞市德索五金电子制品有限公司  
 Dosin Hardware Electronics Co., Ltd

E-mail: dosin2005@163.com  
 dosin2005@dosin-china.com  
 Web: http://www.dosinconn.com  
 TEL: (0086) 769-81153906  
 FAX: (0086) 769-81875836

**Name:** SMA Jack RP PCB Mount

SIZE A	Product NO.	REV A
	DOSIN-806-0134	

Date/Time: 2015/11/22  
 CAD FILE: H/company drawings/BD  
 SHEET: 1 OF 1