

<p>PNP型 小功率 贴片三极管 PNP High Voltage Transistor SMD</p>	<p>S8550 PNP, BEC General Purpose Transistors 对应其他工业型号</p>
<ul style="list-style-type: none"> <li>■ Transistor Polarity: PNP</li> <li>■ Transistor pinout: BEC</li> <li>■ SOT-23 Package</li> <li>■ Marking Code: 2TY</li> <li>■ hFE: 100~200, 200~300</li> <li>■ Ideal for Medium Power Amplification and Switching</li> </ul>	

<p>Inner circuit</p>  <p>SOT-23 内部结构</p>	<p>S8550</p>  <p>1. Base 2. Emitter 3. Collector</p> <p>SOT-23 管脚排列</p>	<p>元件标识 (打印)</p>  <p>DEVICE MARKING: 2TY</p>
---	--	---

■ CLASSIFICATION OF hFE

RANK	L	H
RANGE	100~200	200~300

■ MAXIMUM RATINGS 最大额定值

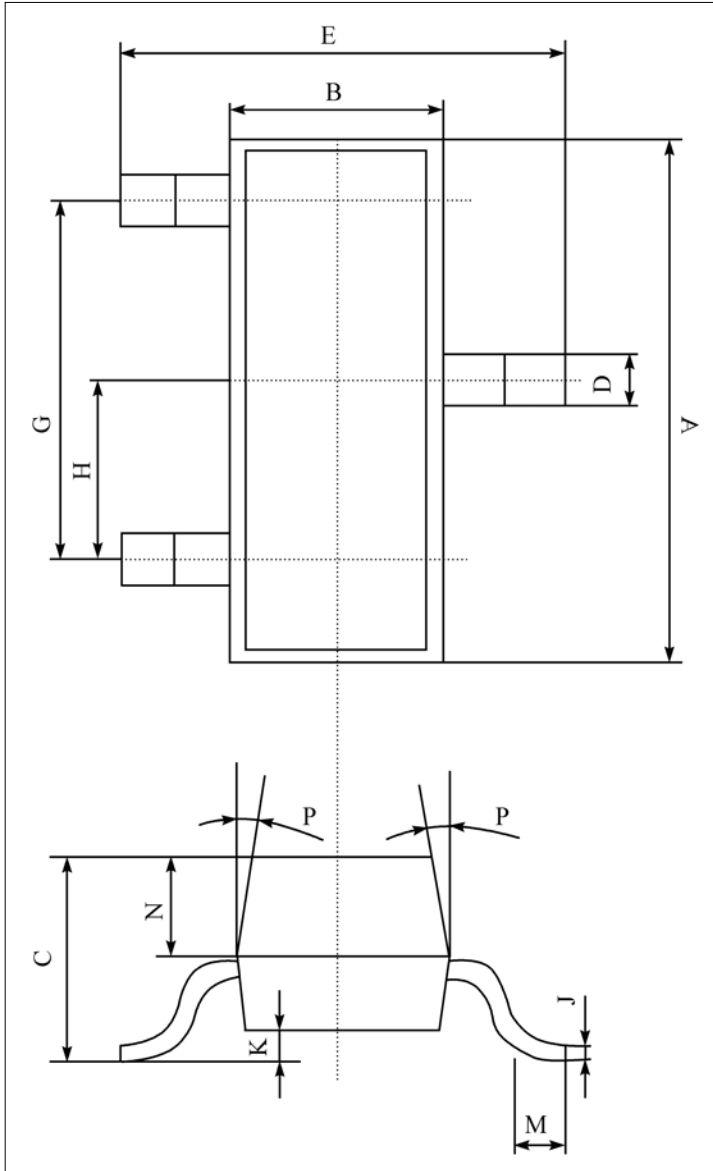
Characteristic 特性参数	Symbol 符号	Rating 额定值	Unit 单位
Collector-Emitter Voltage 集电极-发射极电压	$V_{CEO}$	-25	V
Collector-Base Voltage 集电极-基极电压	$V_{CBO}$	-40	
Emitter-Base Voltage 发射极-基极电压	$V_{EBO}$	-6	
Collector Current-Continuous 集电极电流-连续	$I_C$	-500	mA
Collector Power Dissipation 耗散功率	$P_C$	300	mW
Junction Temperature 结温	$T_j$	150	°C
Storage Temperature Range 储存温度	$T_{stg}$	-55~+150	
Solder Temperature/Solder Time 焊接温度/焊接时间	T/t	260/10	°C/S

■ ELECTRICAL CHARACTERISTICS 电特性 ( $T_A=25^\circ\text{C}$  unless otherwise noted 如无特殊说明, 温度为 $25^\circ\text{C}$ )

Parameter	Symbol	Test conditions	MIN	MAX	UNIT
Collector-base breakdown voltage	$V_{(BR)CBO}$	$I_C = -100\mu\text{A}, I_E=0$	-40		V
Collector-emitter breakdown voltage	$V_{(BR)CEO}$	$I_C = -1\text{mA}, I_B=0$	-25		V
Emitter-base breakdown voltage	$V_{(BR)EBO}$	$I_E = -100\mu\text{A}, I_C=0$	-5		V
Collector cut-off current	$I_{CBO}$	$V_{CB} = -40\text{V}, I_E=0$		-0.1	$\mu\text{A}$
Collector cut-off current	$I_{CEO}$	$V_{CE} = -20\text{V}, I_B=0$		-0.1	$\mu\text{A}$
Emitter cut-off current	$I_{EBO}$	$V_{EB} = -3\text{V}, I_C=0$		-0.1	$\mu\text{A}$
DC current gain	$h_{FE(1)}$	$V_{CE} = -1\text{V}, I_C = -50\text{mA}$	120	400	
	$h_{FE(2)}$	$V_{CE} = -1\text{V}, I_C = -500\text{mA}$	50		
Collector-emitter saturation voltage	$V_{CE(sat)}$	$I_C = -500\text{mA}, I_B = -50\text{mA}$		-0.6	V
Base-emitter saturation voltage	$V_{BE(sat)}$	$I_C = -500\text{mA}, I_B = -50\text{mA}$		-1.2	V
Transition frequency	$f_T$	$V_{CE} = -6\text{V}, I_C = -20\text{mA}$ $f=30\text{MHz}$	150		MHz

■ DIMENSION 外形封装尺寸数据 (Package: SOT-23 Package Code: MM)

单位 (UNIT) : mm

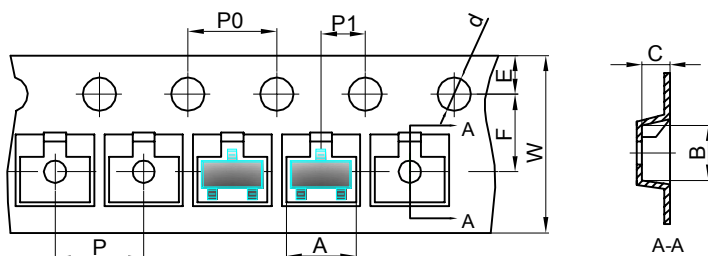


序号	数值及公差
A	2.90±0.10
B	1.30±0.10
C	1.00±0.10
D	0.40±0.10
E	2.40±0.20
G	1.90±0.10
H	0.95±0.05
J	0.13±0.05
K	0.00-0.10
M	≥0.20
N	0.60±0.10
P	7±2°

Packing  
SOT-23 包装规格  
SMD片式表面贴封装  
包装方式: 载带卷盘包装  
Tape & Reel, 3Kpcs/Reel  
每卷数量3000只 (3Kpcs/Reel)  
每盒数量45000只 (45Kpcs/BOX)  
每箱数量180000只 (180Kpcs/Cartons)

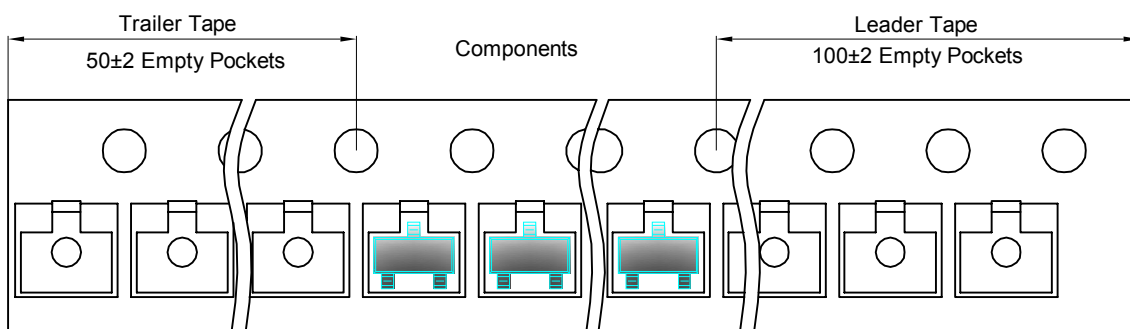
## SOT-23 Tape and reel

SOT-23 Embossed Carrier Tape

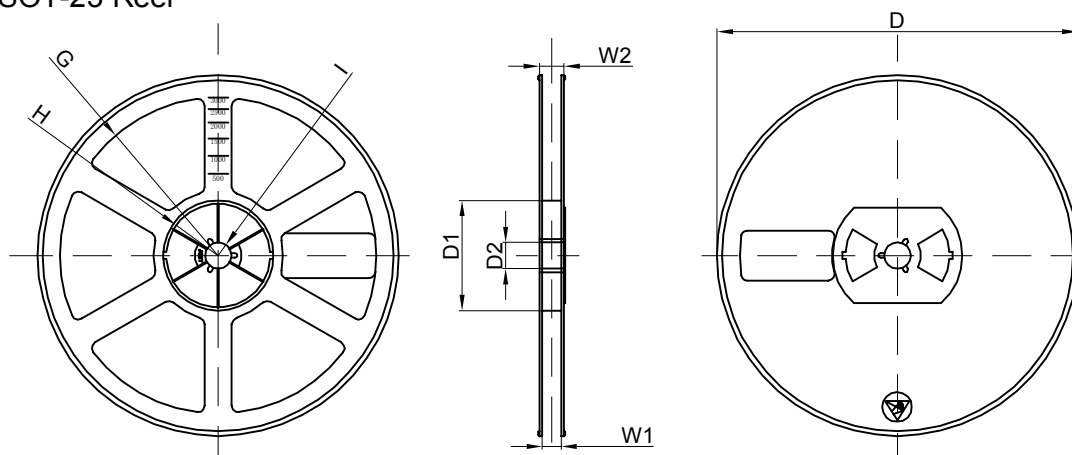


Dimensions are in millimeter										
Pkg type	A	B	C	d	E	F	P0	P	P1	W
SOT-23	3.15	2.77	1.22	Ø1.50	1.75	3.50	4.00	4.00	2.00	8.00

## SOT-23 Tape Leader and Trailer



## SOT-23 Reel



Dimensions are in millimeter								
Reel Option	D	D1	D2	G	H	I	W1	W2
7" Dia	Ø178.00	54.40	13.00	R78.00	R25.60	R6.50	9.50	12.30

REEL	Reel Size	Box	Box Size(mm)	Carton	Carton Size(mm)	G.W.(kg)
3000 pcs	7 inch	30,000 pcs	203×203×195	120,000 pcs	438×438×220	