

# TECHNICAL INFORMATION

## MATERIALS

- Housing: High temperature thermoplastic, Black
- Flammability Rating: UL94V-0
- Pin: Phosphor-bronze
- Plating: Gold or Tin over 1.27µm (50µin.) Nickel

## ELECTRICAL PERFORMANCE

- Current Rating: 3A per contact
- Insulation Resistance: 5000MΩ min.
- Dielectric Withstanding Voltage: 1500V



## ENVIRONMENTAL

- Operating Temperature: -65°C to +125°C

## MECHANICAL PERFORMANCE

- Retention Force: 9N min.

## SPECIFICATIONS

-  File no. E66906
-  File no. LR46923
- Product Drawing: 77311/ 77313/ 98401/ 95278
- Product Specification: BUS-12-114
- Tape and Reel Packaging Data: TA-840

## APPROVALS AND CERTIFICATIONS

- RoHS compatible according to the European Union Directive 2002/95/IEC

## PACKAGING

- Bags
- Optional: Tubes or tape-and-reel with pick-up cap (only applicable for SMT pin style 01)

## PROCESSING INFORMATION

- Compatible with wave, vapor-phase, and (for SMT) IR reflow soldering processes
- Recommended IR profile TA 842 for SMT

# PART NUMBER SELECTOR

XXXXX      X      XX      X      XX      XX

BASE PART NUMBER	PLATING CODE	PIN STYLE LENGTH	PACKAGING OPTION	TOTAL POSITIONS	LEAD-FREE
LF					

THT	
Single row	77311
Double row	77313

SMT	
Single row	98401
Double row	95278

Configuration	Option
Plastic bag	THT
Tape-and-reel with pick-up cap	SMT
Tube with pick-up cap	SMT

THT			
Mating Length	Solder	Overall	Pin Style
5.84	2.41	10.80	01*
5.84	3.05	11.43	18*
5.84	3.42	11.80	02
6.60	2.66	11.82	27
7.75	3.06	13.35	22
6.75	2.90	12.20	24*

SMT	
Mating	Pin Style
5.84	01
8.08	02

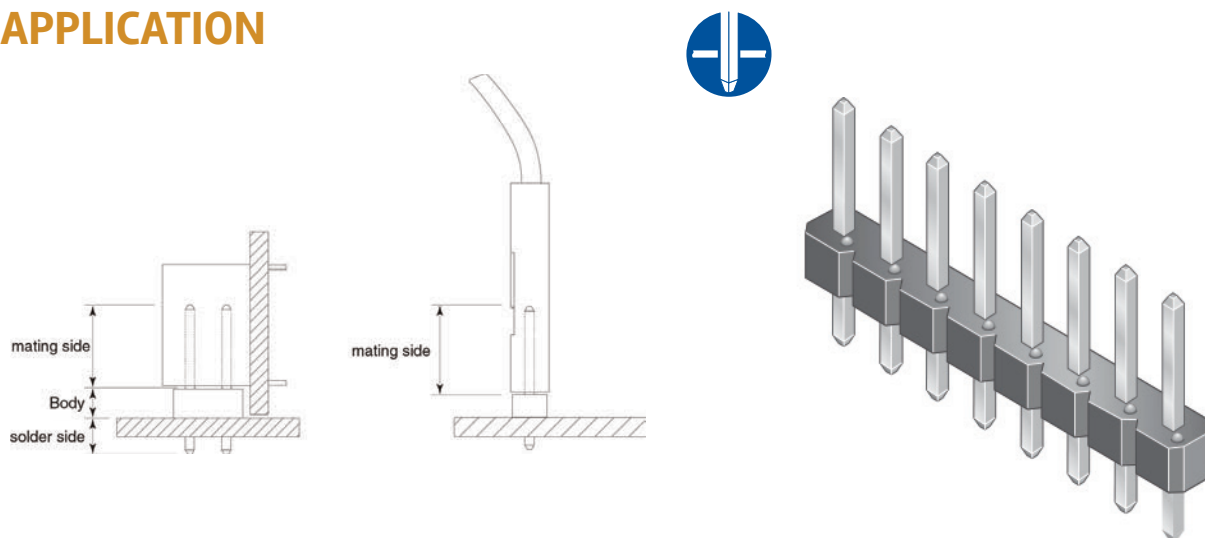
0.76µm (30µin.) Gold or GXT on contact, tin on solder side	1
0.38µm (15µin.) Gold or GXT on contact area, tin on solder side	8
0.25µm (10µin.) Gold or GXT on contact area, tin on solder side <b>NEW</b>	5
Tin	4

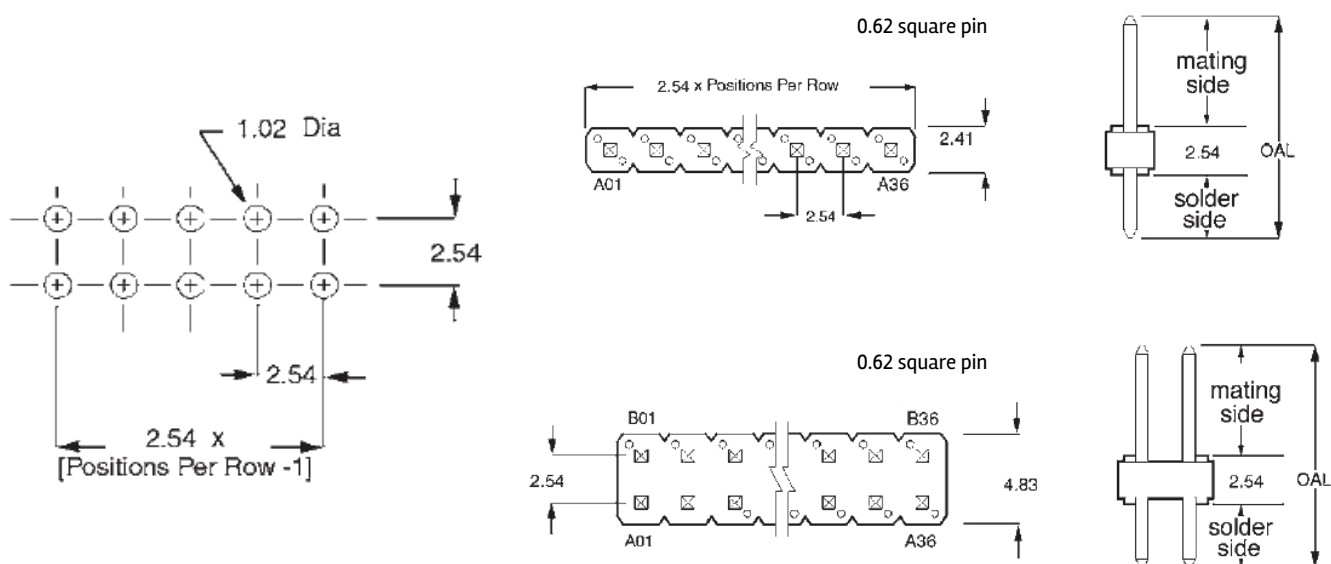
Single row THT	02 to 36
Single row SMT	03 to 17
Double row THT	04 to 72
Double row SMT	04 to 50
Double row SMT with pegs	08 to 50

\*Most popular configurations

## APPLICATION



## PRODUCT



### Recommended PCB Layouts

Dimensions in mm