

INDUSTRIAL PLUGS AND SOCKETS



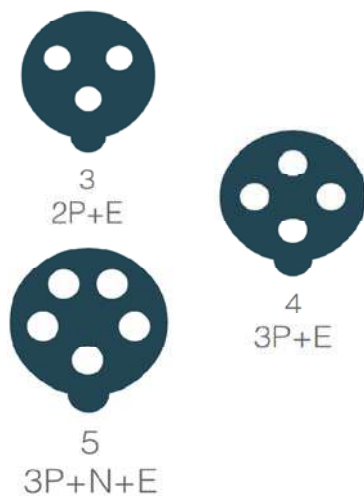
APPLICATIONS

Industrial Plugs and Sockets are reliable, robust, easy to wire and provide outstanding resistance to weathering and to chemicals. All of which assures safe operation, even in the most adverse environmental conditions.

Field of use	IP44	IP67
Agriculture	Mobile or portable equipment or appliances used or stored on sheltered premises.	Outdoor installation of pumping, ventilation, drying equipment.
Chemical industry	Indoor on premises for storage and maintenance purposes where connections are not exposed to the risk of immersion or chemicals.	On premises without risk of explosions but where the connections are exposed to chemicals and subject to possible immersion.
Construction sites and shipyards	On covered construction sites sheltered against weathering the exposed to splashing with water.	On outdoor construction sites where the connections are left on damp ground exposed to freezing, dust and weathering.
Sports complexes and other places of public entertainment, TV and film studios.	On sheltered premises protected against the weather, though exposed to splashing, without high connected loads.	Outdoor connections exposed to rain, snow, mud, freezing and other critical weather conditions.
Food industry	In sheltered locations, on indoor premises used for storage and maintenance.	In location subject to washing by hosing down and where connections are subject to heavy duty.
Heavy industry	In sheltered store-houses, workshops for maintenance, minor assembly and moulding.	In rolling mills, foundries, blast furnaces, etc., where the connections are exposed to dust, metallic shavings, coolants and are subject to vibrations and impact.
Light industry	Locations without high humidity or ambient pollution serving for assembly, moulding, maintenance and storage.	On premises subject to cleaning by means of chemical solvents. Also where heavy loads require high safety in connections
Installations for EDP centres	Electrical connections executed above floor level.	Electrical connections executed under raised floors with risk of immersion. Where heavy loads require high safety in connections.
Ports	In sheltered locations such as docks, repair shops, offices, etc.	Quays, docks, piers, etc. where there is risk of high waves partial flooding.
Airports	In sheltered locations, hangars, repair shops, store-houses.	Outdoors for connection between mobile or portable appliances and aircraft.
Water treatment plants	Indoor use in repair shops, etc.	In all locations with risk of flooding and for outdoor use with pumps, aeration and ventilation systems.



INDUSTRIAL PLUGS



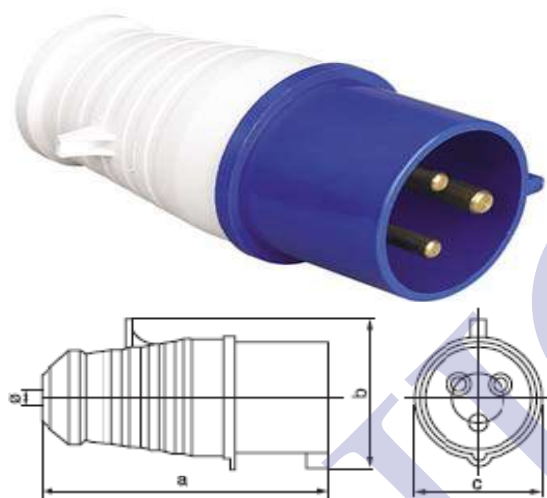
SPECIFICATIONS

- Operating temperature -20°C to 80°C
- Casing and insert made of engineering plastic with high thermal stability and mechanical strength.
- Self-extinguishing to IEC 695-2-1: casing 650°C (glow-wire) and insert 850°C (glow-wire).
- Seal made of non-ageing EPDM elastomer or rubber.
- Pins of nickel-plated brass for a perfect, lasting electric contact.
- Nickel-plated brass contact tubes with flexible spring for a constant and even contact pressure.
- Nickel-plated steel terminal screws
- Contact tube springs and external screws of zinc-plated steel.
- Grip and lid spring of stainless steel.
- Resistance to rusting: 10 min in 10% aqueous solution of ammonium chloride

CODE - JG-013(16A), JG-023(32A)

Current (A): 16A, 32A
 Voltage (V): 220 - 240V~ 2P+E
 Protection Degree: IP44

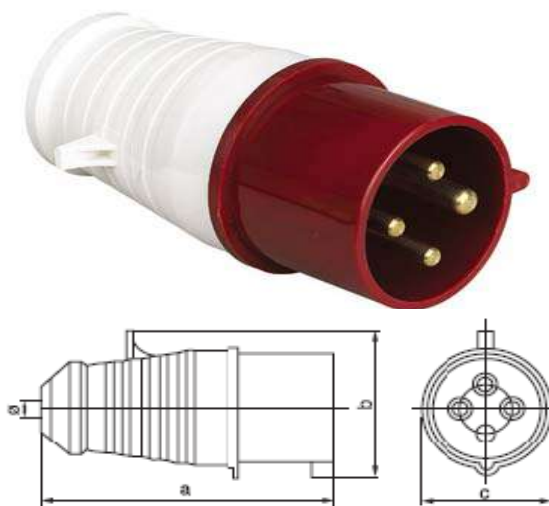
Earth Contact Position	6h		
Rated Current (A):	16	32	
No. of Poles	3		
Dimension (mm)	a	122	139
	b	59	75
	c	51	64
	∅	6	8
	Cable Nominal Cross - section area (mm ²)	1 - 2.5	2.5 - 6



CODE - JG-014(16A), JG-024(32A)

Current (A): 16A, 32A
 Voltage (V): 380 - 415V~ 3P+E
 Protection Degree: IP44

Earth Contact Position	6h		
Rated Current (A):	16	32	
No. of Poles	4		
Dimension (mm)	a	122	139
	b	65	75
	c	55	64
	∅	6	8
	Cable Nominal Cross - section area (mm ²)	1 - 2.5	2.5 - 6



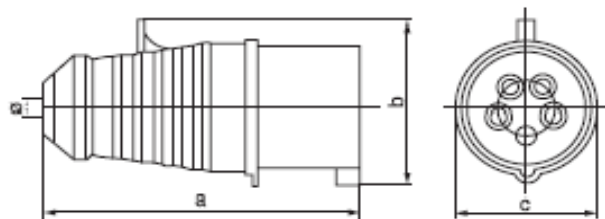
INDUSTRIAL PLUGS

CODE - JG-015(16A), JG-025(32A)



Current (A): 16A, 32A
Voltage (V): 220 - 380V~(16A), 240 - 415V~(32A) 3P+N+E
Protection Degree IP44

Earth Contact Position	6h	
Rated Current (A):	16	32
No. of Poles	5	
Dimension (mm)	a	130
	b	72
	c	64
	∅	8
Cable Nominal Cross - section area (mm ²)	1 - 2.5	2.5 - 6



CODE - JG-033(63A), JG-043(125A)

Current (A): 63A, 125A
Voltage (V): 220 - 240V~ 2P+E
Protection Degree: IP67

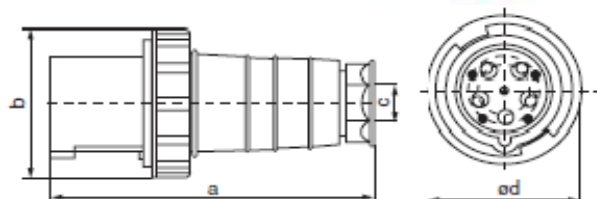
Earth Contact Position	6h	
Rated Current (A):	63	125
No. of Poles	3	
Dimension (mm)	a	231.5
	b	110
	c	16-38
	∅	110
Cable Nominal Cross - section area (mm ²)	6 - 16	16 - 50



CODE - JG-035(63A), JG-045(125A)

Current (A): 63A, 125A
Voltage (V): 220 - 380V~(63A), 240 - 415V~(125A) 3P+N+E
Protection Degree IP67

Earth Contact Position	6h	
Rated Current (A):	63	125
No. of Poles	5	
Dimension (mm)	a	231.5
	b	110
	c	16-38
	∅	110
Cable Nominal Cross - section area (mm ²)	6 - 16	16 - 50

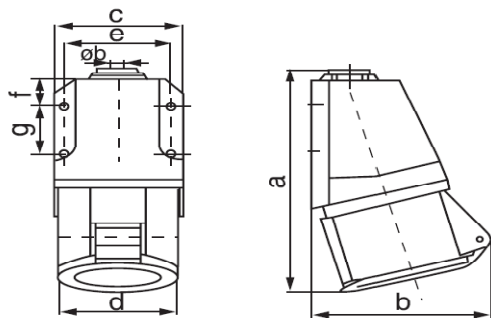


WALL MOUNTED SOCKETS



CODE - JG-113(16A), JG-123(32A)

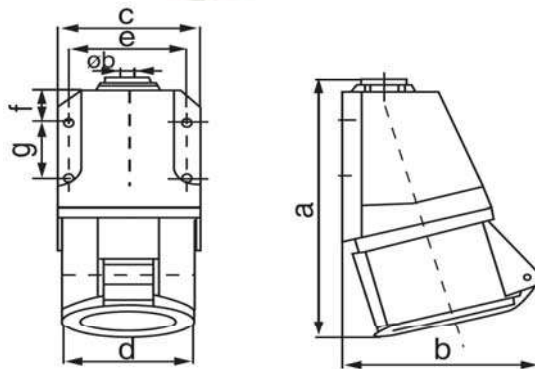
Current (A): 16A, 32A
Voltage (V): 220 - 240V~ 2P+E
Protection Degree: IP44



Earth Contact Position	6h	
Rated Current (A):	16	32
No. of Poles	3	
Dimension (mm)		
a	135	153
b	92	102
c	71	71
d	50	65
e	57	57
f	20	20
g	32.5	32.5
h	6.5	6.5
Cable Nominal Cross - section area (mm ²)	1 - 2.5	2.5 - 6

CODE - JG-114(16A), JG-124(32A)

Current (A): 16A, 32A
Voltage (V): 380 - 415V~ 3P+E
Protection Degree: IP44



Earth Contact Position	6h	
Rated Current (A):	16	32
No. of Poles	4	
Dimension (mm)		
a	140	152
b	95	104
c	71	71
d	56	64.5
e	57	57
f	20	20
g	32.5	32.5
h	6.5	6.5
Cable Nominal Cross - section area (mm ²)	1 - 2.5	2.5 - 6

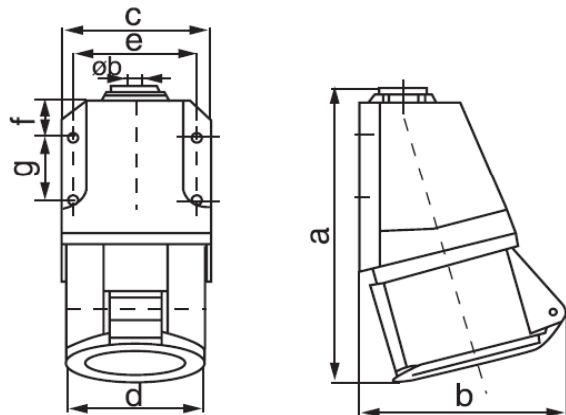


WALL MOUNTED SOCKETS



CODE - JG-115(16A), JG-125(32A)

Current (A): 16A, 32A
 Voltage (V): 220 - 380V~(16A), 240 - 415V~(32A) 3P+N+E
 Protection Degree: IP44



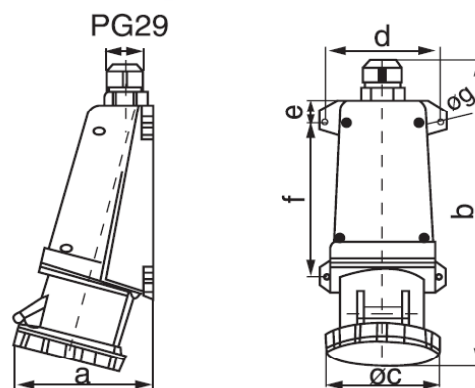
Earth Contact Position	6h	
Rated Current (A):	16	32
No. of Poles	5	
Dimension (mm)		
a	139	153
b	100	107
c	71	71
d	63	70
e	57	57
f	20	20
g	32.5	32.5
h	6.2	6.5
Cable Nominal Cross - section area (mm ²)	1 - 2.5	2.5 - 6

CODE - JG-133(63A), JG-143(125A)

Current (A): 63A, 125A
 Voltage (V): 220 - 240V~ 2P+E
 Protection Degree: IP67



Earth Contact Position	6h	
Rated Current (A):	63	125
No. of Poles	3	
Dimension (mm)		
a	134	154
b	311	338
c	108	122
d	111	130
e	20	20
f	153	185
g	6	6.2
Cable Nominal Cross - section area (mm ²)	6 - 25	25 - 70

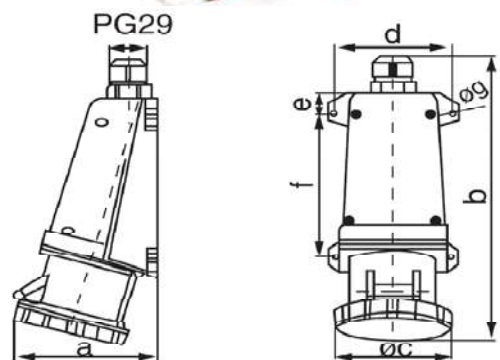


WALL MOUNTED SOCKETS



CODE - JG-135(63A), JG-145(125A)

Current (A): 63A, 125A
 Voltage (V): 220 - 380V~(63A), 240 - 415V~(125A) 3P+N+E
 Protection Degree: IP67



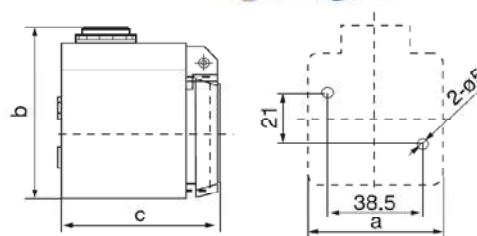
Earth Contact Position	6h	
Rated Current (A):	63	125
No. of Poles	5	
Dimension (mm)	a	134
	b	311
	c	108
	d	111
	e	20
	f	153
	g	6
Cable Nominal Cross - section area (mm ²)	6 - 25	25 - 70

TWO POLE PROTECTION SOCKET

CODE - JG-112

Current (A): 16A
 Voltage (V): 220 - 240V~ 2P+E
 Protection Degree: IP44

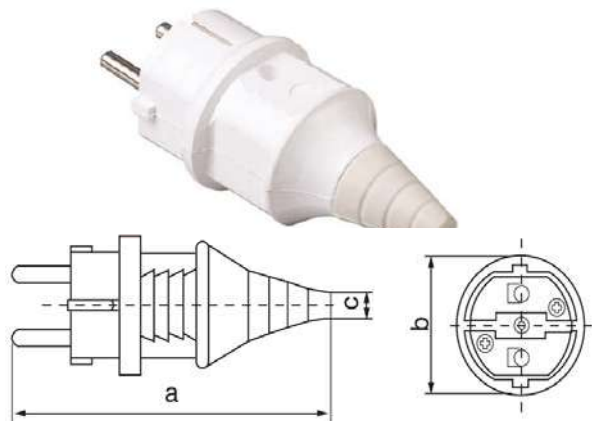
No. of Poles	3	
Dimension (mm)	a	54
	b	73
	c	64
Cable Nominal Cross - section area (mm ²)	1 - 2.5	



TWO POLE PROTECTION PLUG

CODE - JG-012

Current (A): 16A
 Voltage (V): 220 - 240V~ 2P+E
 Protection Degree: IP44



No. of Poles	3	
Dimension (mm)	a	104
	b	42
	c	5
Cable Nominal Cross - section area (mm ²)	1 - 2.5	

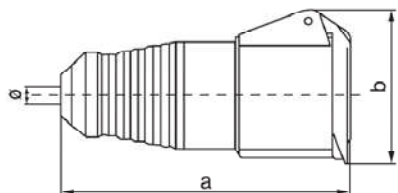
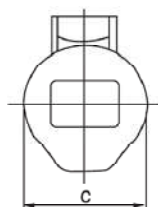


INDUSTRIAL STRAIGHT SOCKETS

CODE - JG-213(16A), JG-223(32A)



Current (A): 16A, 32A
Voltage (V): 220 - 240V~ 2P+E
Protection Degree: IP44



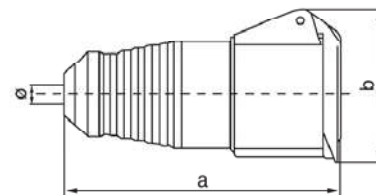
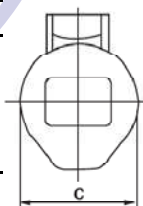
Earth Contact Position	6h	
Rated Current (A):	16	32
No. of Poles	3	
Dimension (mm)	a	131
	b	68
	c	50
	∅	6
Cable Nominal Cross - section area (mm ²)	1 - 2.5	2.5 - 6

CODE - JG-214(16A), JG-224(32A)

Current (A): 16A, 32A
Voltage (V): 380 - 415V~ 3P+E
Protection Degree: IP44



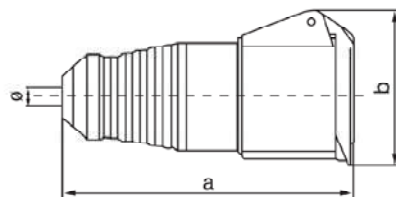
Earth Contact Position	6h	
Rated Current (A):	16	32
No. of Poles	4	
Dimension (mm)	a	131
	b	79
	c	56
	∅	6
Cable Nominal Cross - section area (mm ²)	1 - 2.5	2.5 - 6



CODE - JG-215(16A), JG-225(32A)



Current (A): 16A, 32A
Voltage (V): 220 - 380V~(16A), 240 - 415V~(32A) 3P+N+E
Protection Degree: IP44



Earth Contact Position	6h	
Rated Current (A):	16	32
No. of Poles	5	
Dimension (mm)	a	139
	b	90
	c	63
	∅	8
Cable Nominal Cross - section area (mm ²)	1 - 2.5	2.5 - 6

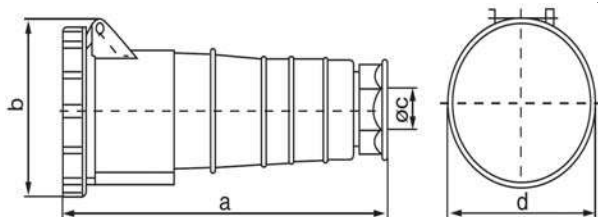


INDUSTRIAL STRAIGHT SOCKETS



CODE - JG-233(63A), JG-243(125A)

Current (A): 63A, 125A
Voltage (V): 220 - 240V~ 2P+E
Protection Degree: IP67



Earth Contact Position	6h	
Rated Current (A):	63	125
No. of Poles	3	
Dimension (mm)	a	240
	b	115
	c	16-38
	ø	108
Cable Nominal Cross - section area (mm ²)	6 - 16	16 - 50

CODE - JG-235(63A), JG-245(125A)

Current (A): 63A, 125A
Voltage (V): 220 - 380V~(63A), 240 - 415V~(125A) 3P+N+E
Protection Degree: IP67



Earth Contact Position	6h	
Rated Current (A):	63	125
No. of Poles	5	
Dimension (mm)	a	240
	b	115
	c	16-38
	ø	108
Cable Nominal Cross - section area (mm ²)	6 - 16	16 - 50

