

**EE16-A2 High Frequency Transformer**

EE16-A2 switching power supply high-frequency transformer, with TNY268PN or TNY278 series switching power supply chip, the maximum output power of 10W power. The Primary inductance is 0.8mH, turn ratio is 90:11.

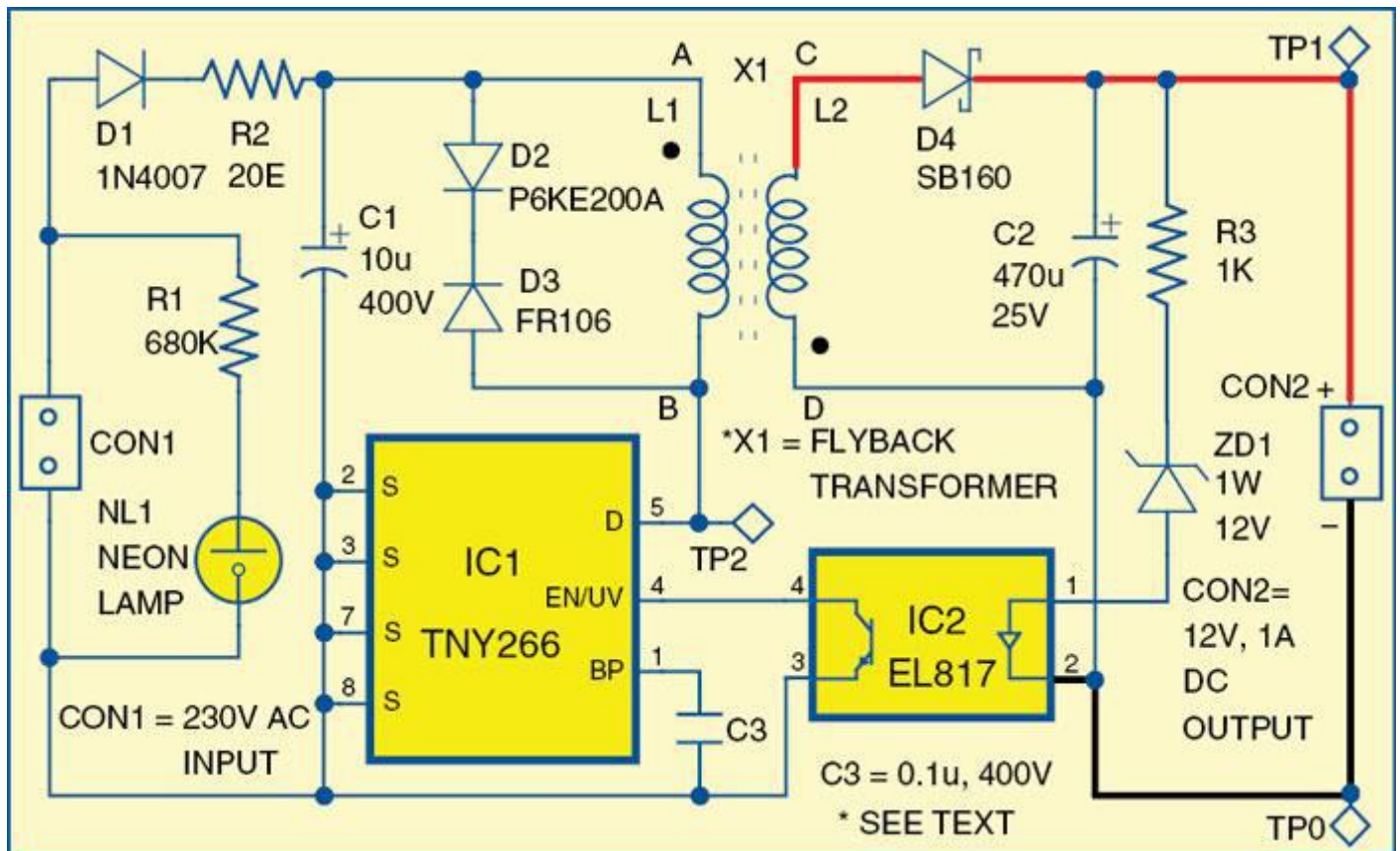
Magnetic core EE16, PC40, EE16 vertical 2+3 skeleton

Primary 4 in 6 out, 90T, 0.2mm, 0.8mH inductance

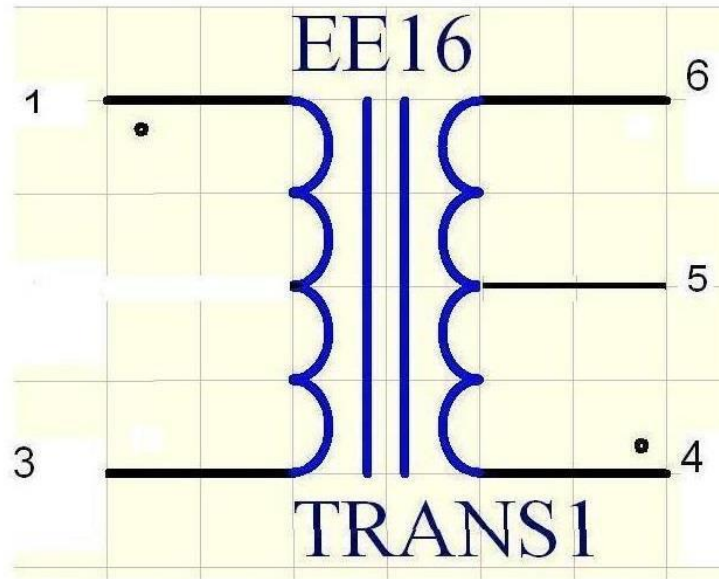
Secondary 1 in 3 out, 11T, 0.5mmx2 double-wire winding

**Feature/Specs:**

SL No.	Parameter	Value and Unit
1	Part No	EE16-A2
2	Core Shape	PC40
3	Frequency	20Khz ~ 500Khz
4	Power	10W
6	Primary Inductance	2.6 ~ 4.0mH
7	Turns Ratio	145:18
8	Operation Temperature	-15°C ~ + 105°C

**Example Schematic:**


**Pin Details:**



1. Magnetic core EE16, PC40, EE16 vertical 2+3 skeleton
2. Primary 4 in 6 out, 90T, 0.2mm, 0.8mH inductance
3. Secondary 1 in 3 out, 11T, 0.5mmx2 double-wire winding

**PCB Layout:**

