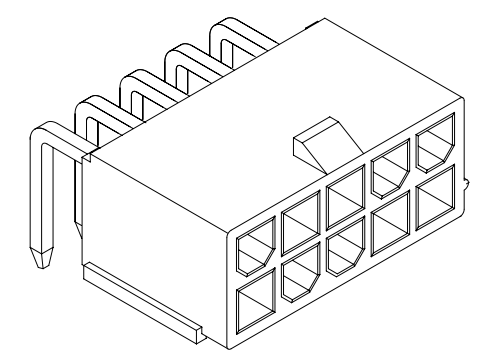
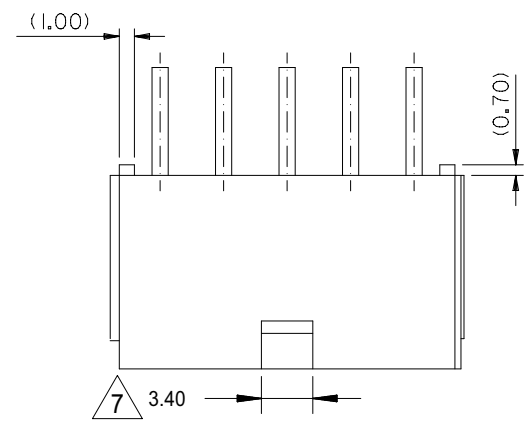


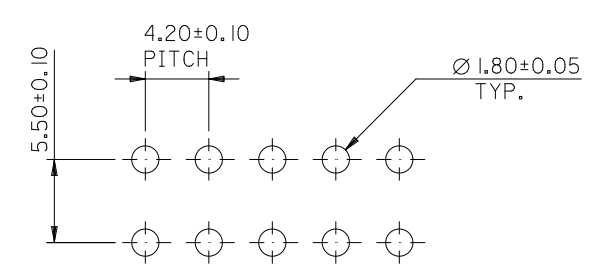
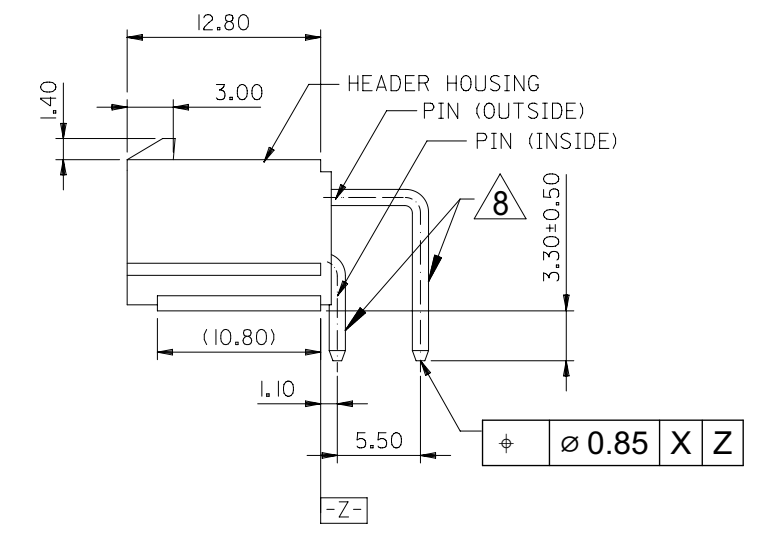
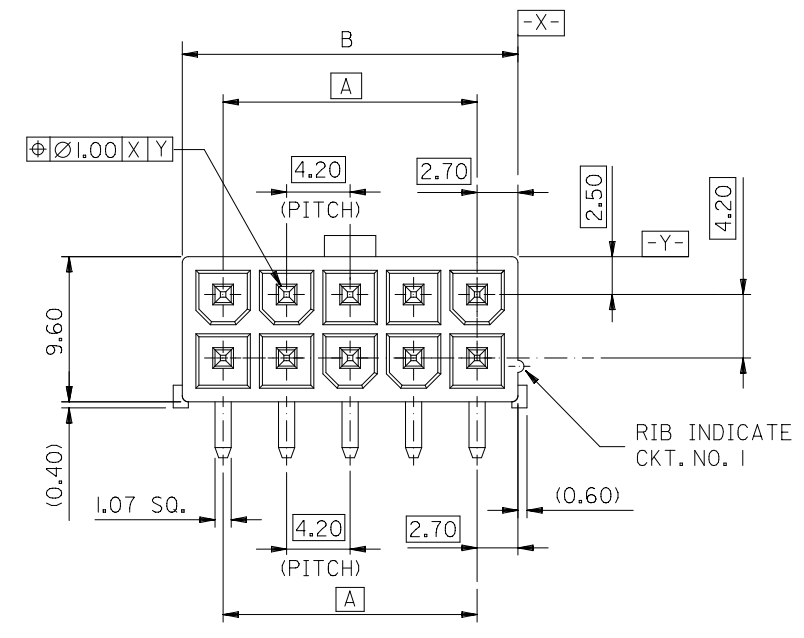
51.60±0.55	46.20	24
47.40±0.55	42.00	22
43.20±0.50	37.80	20
39.00±0.45	33.60	18
34.80±0.35	29.40	16
30.60±0.30	25.20	14
26.40±0.30	21.00	12
22.20±0.30	16.80	10
18.00±0.30	12.60	8
13.80±0.25	8.40	6
9.60±0.25	4.20	4
5.40±0.20	--	2
B	A	CKT. SIZE



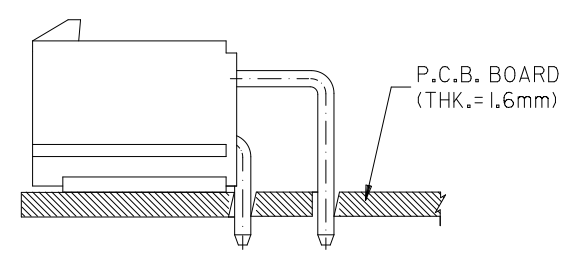
ISOMETRIC VIEW

LEGEND

- 87427-****
- CKT. SIZE (SEE SHEET 2).
- PLATING OPTIONS
 2 = NOTE/2.2
 4 = NOTE/2.2
- PACKAGING & COLOR OPTIONS ⁴
 0 = TRAY PACKED - COLOR BEIGE
 2 = TUBE PACKED - COLOR BEIGE
 3 = TAPE & REEL PACKED - COLOR BEIGE
 7 = TRAY PACKED - COLOR BLACK



RECOMMENDED P.C.B. LAYOUT



RECOMMENDED INSTALLATION PATTERN

NOTES

- MATERIALS:
 - HEADER: NYLON 46, UL94V-0, COLOR SEE LEGEND.
 - PIN: BRASS
- FINISH- PLATING OF PIN:
^{2.2} MATTE TIN .00254 MIN. OVER NICKEL .00127 MIN.
- PRODUCT SPECIFICATION: PS-87427-0001.
- PACKAGING SPECIFICATION:
 TRAY PACK PER PK-87427-001.
 TAPE & REEL PACK PER PK-87427-009.
- MATES WITH: MINI-FIT JR. RECEPTACLE SERIES 5557.
- THESE PARTS CONFORM TO CLASS "B" REQUIREMENTS OF COSMETIC SPECIFICATION PS-45499-002.
- THIS DIMENSION IS 4.2 ON 2 CKT PARTS.
- FORMING MARKS ARE ACCEPTABLE
- DISCOLORATION IN THE BANDOLIER CARRIER AREA OF THE PIN IS INHERENT TO THE PLATING PROCESS AND IS DUE TO THE MASKING EFFECT OF THE CARRIER. THIS DISCOLORATION IS IN A NON-FUNCTIONAL AREA OF THE PIN AND WILL NOT AFFECT THE PERFORMANCE OF THE HEADER ASSEMBLY.
- PARTS ARE NOT DESIGNED FOR CURRENT SHARING.
- CONNECTORS ARE NOT TO BE MATED AND UNMATED WHILE CIRCUITS ARE LIVE.