



YETDA INDUSTRY LTD.

Technical Data Sheet

MODEL NO : S5730QLX4P-H34

0.5w 5.7 x 3.0mm White SMD

Features

- Package: 2500pcs per reel
- Compatible with automatic placement equipment
- Compatible with reflow solder process

Applications :

- Indicators
- Automotive : backlighting in dashboard and switch

Part Number	Dice material	Emitted color	Lens Color
S5730QLW4P-H34	InGaN	White	Yellow diffused
S5730QLPW4P-H34		Pure-White	
S5730QLPWW4P-H34		Warm White	

Electrical/Optical Characteristics(Ta=25°C)

Parameter	Test Condition	Symbol	Value			Unit
			Min	Typ	Max	
Luminous Flux (Cool White)	I _F =150mA	φ (lm)	53		58	lm
Luminous Flux (Pure White)	I _F =150mA	φ (lm)	53		58	lm
Luminous Flux (Warm White)	I _F =150mA	φ (lm)	50		55	lm
Color Temperature (Cool White)	I _F =150mA	CCT	5700	6000	6500	K
Color Temperature (Pure White)	I _F =150mA	CCT	3800	4000	4250	K
Color Temperature (Warm White)	I _F =150mA	CCT	2800	3000	3100	K
Color Rendering Index	I _F =150mA	R _a	70			-
Forward voltage	I _F =150mA	V _F	2.8		3.6	V
Viewing angle	I _F =150mA	2 θ 1/2		120		Deg
Reverse current	V _R =5V	I _R			10	μ A

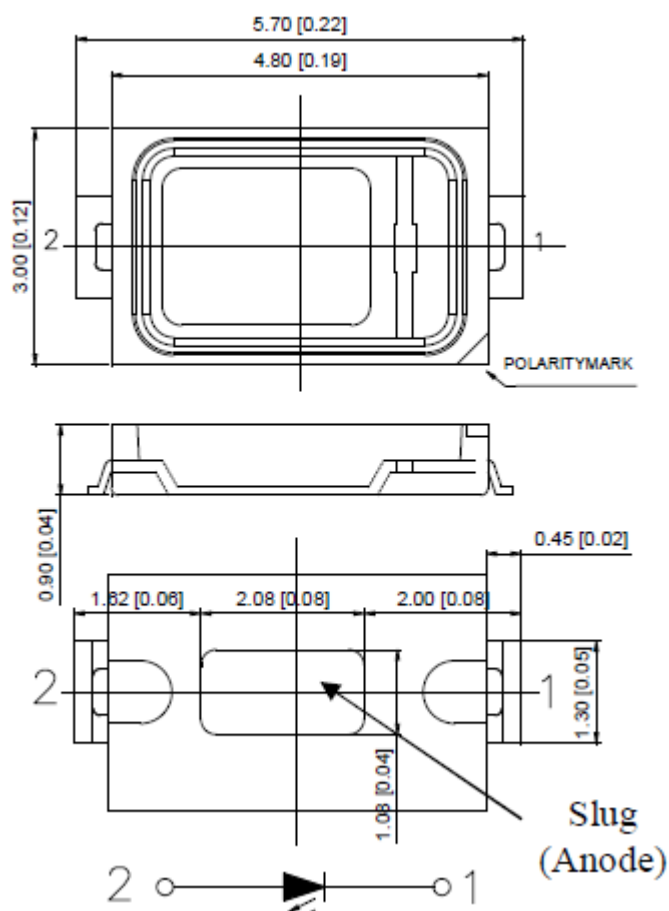


YETDA INDUSTRY LTD.

Absolute Maximum Ratings(Ta=25°C)

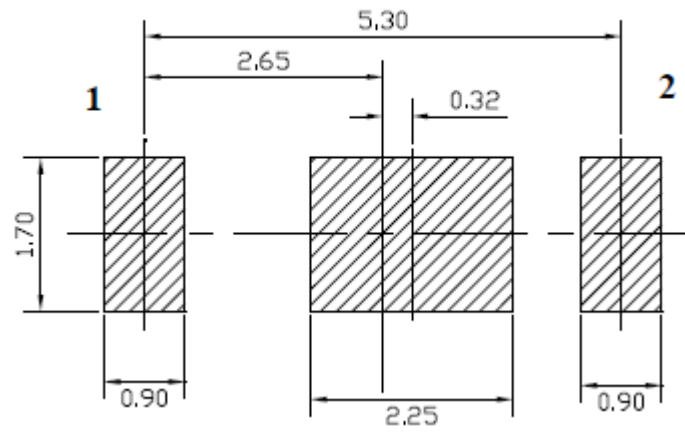
Parameter	Symbol	Value	Unit
Power dissipation	Pd	500	mW
Forward current	I _F	150	mA
Reverse voltage	V _R	5	V
Operating temperature range	T _{op}	-40 ~+85	°C
Storage temperature range	T _{stg}	-40 ~+100	°C
Peak pulsing current (1/10 duty f=1kHz)	I _{FP}	200	mA

PACKAGING DIMENSIONS (mm):



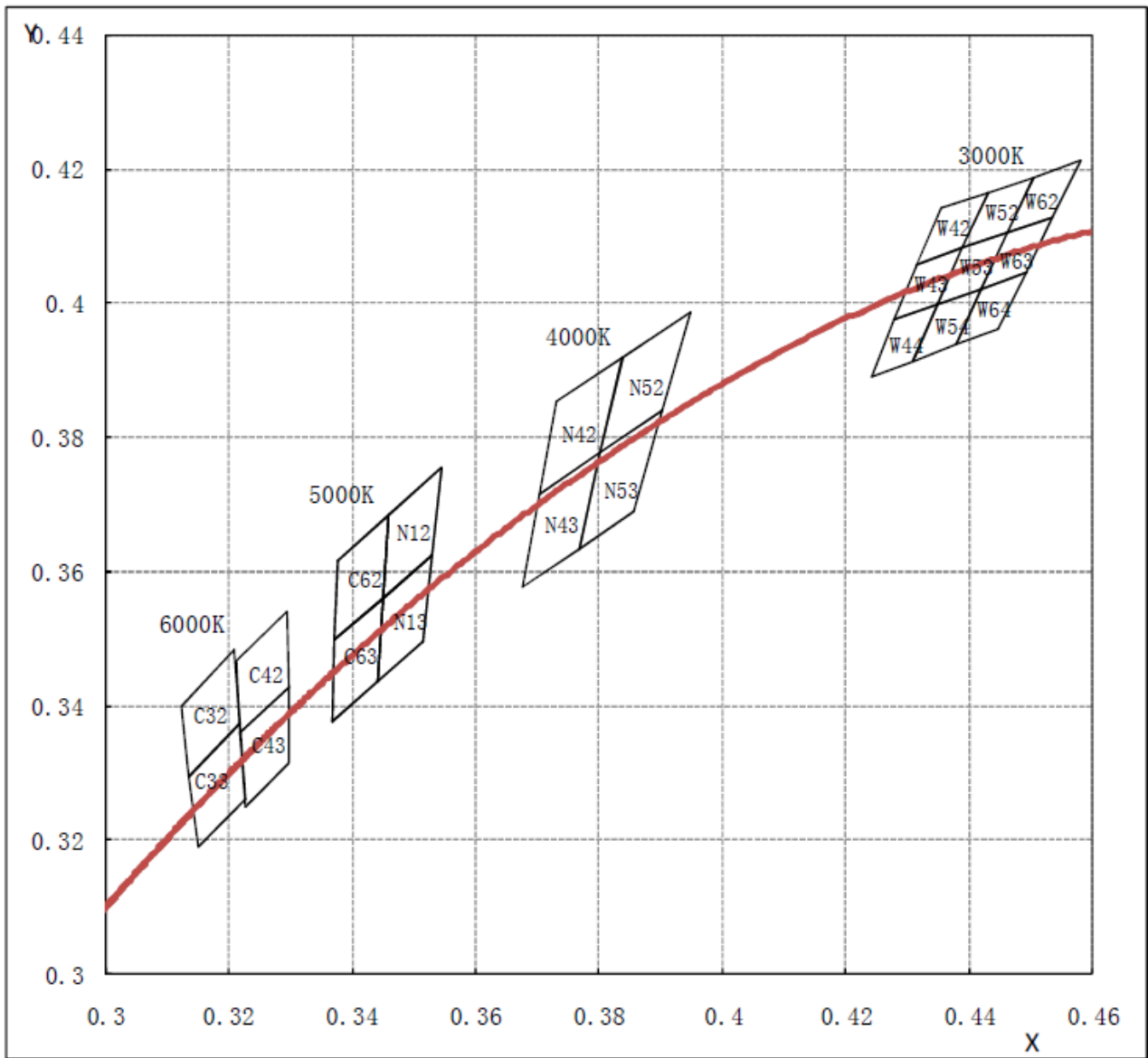


YETDA INDUSTRY LTD.





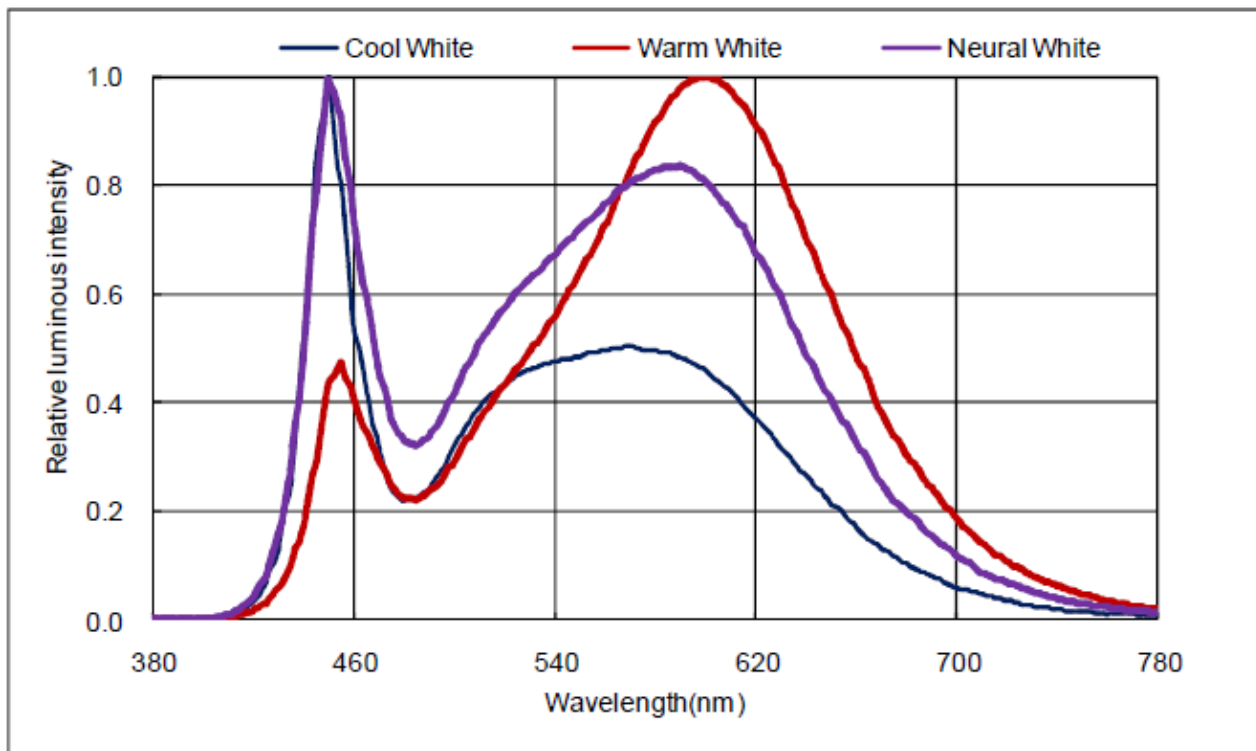
YETDA INDUSTRY LTD.



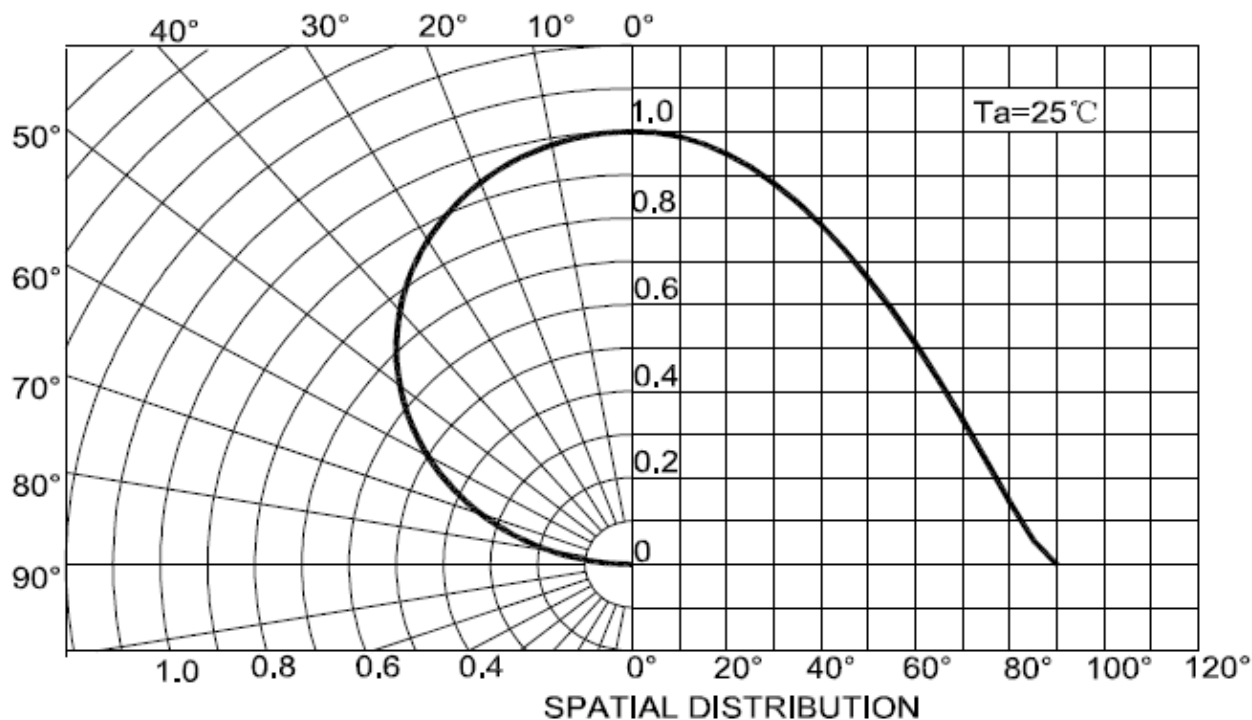


YETDA INDUSTRY LTD.

Relative spectral emission



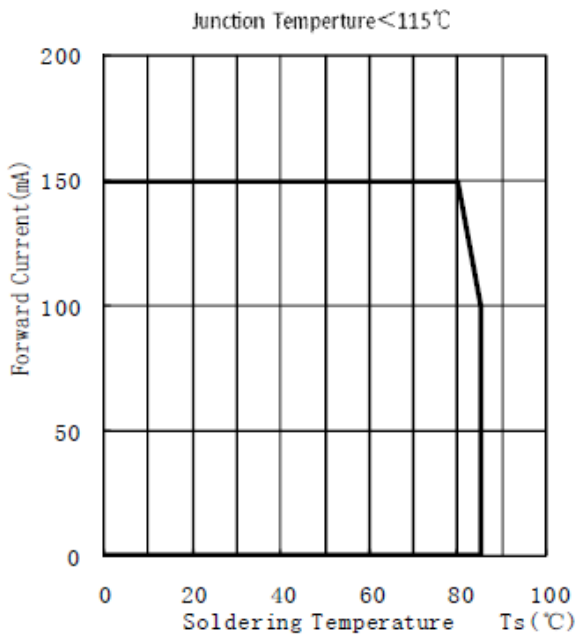
Radiation diagram



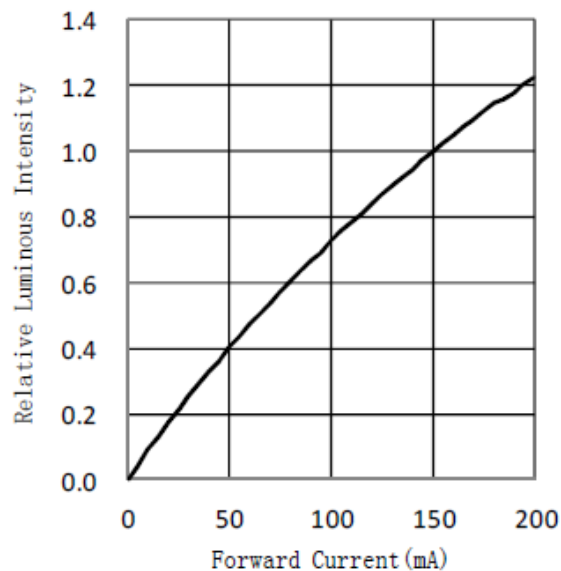


YETDA INDUSTRY LTD.

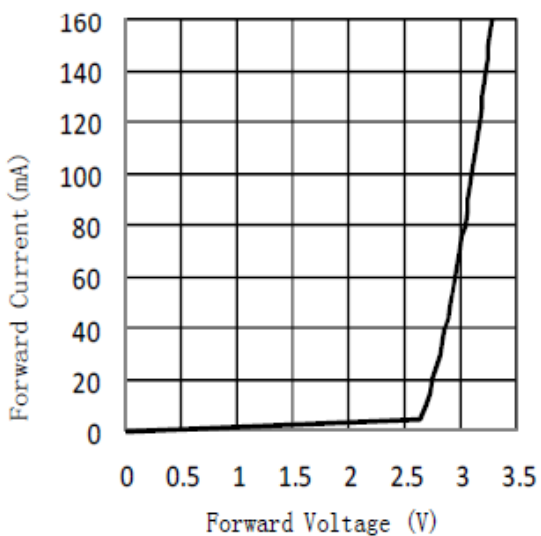
Soldering Temperature vs. Forward Current



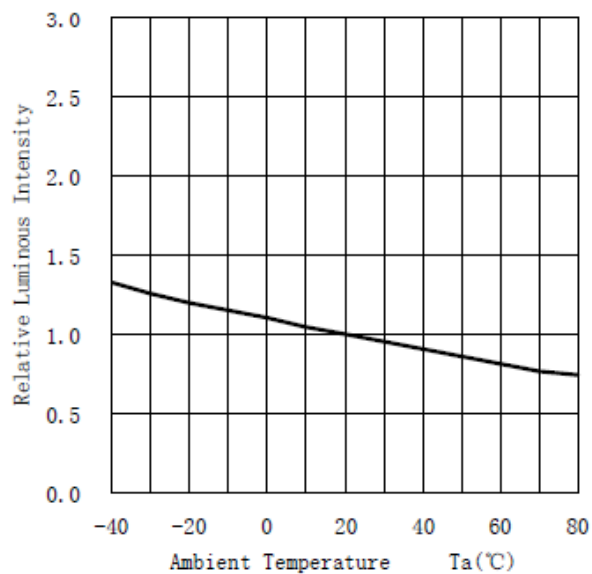
Forward Current VS. Relative Intensity



Forward Voltage VS. Forward Current



Ambient Temperature VS. Relative Intensity

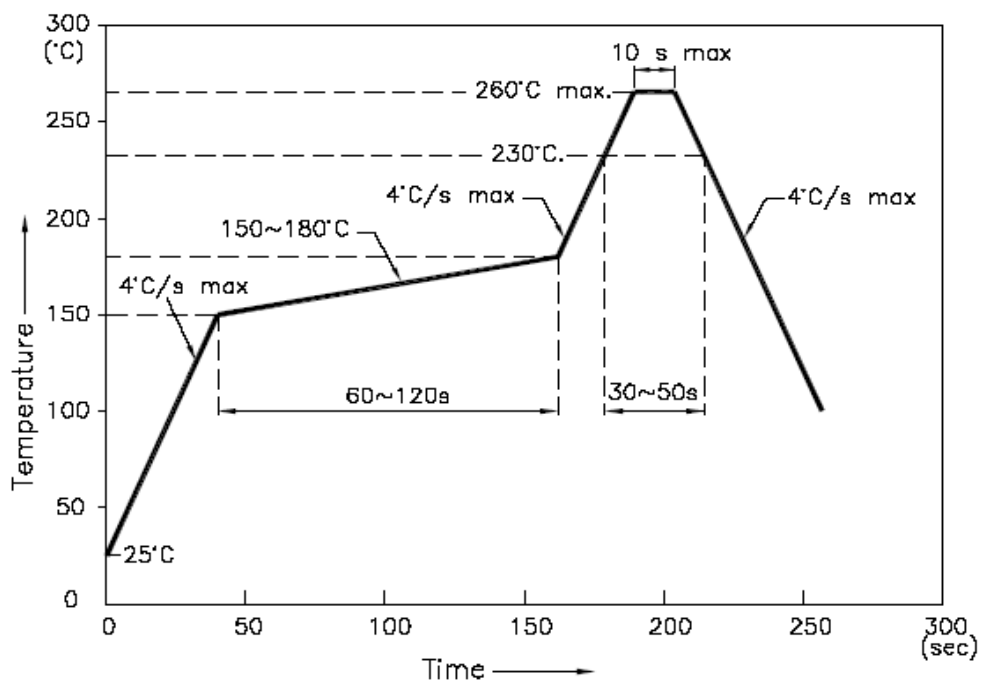




YETDA INDUSTRY LTD.

Precautions For Use :
Over - current - proof
Customer must apply resistors for protection, otherwise slight voltage shift will cause big current change (Burn out will happen)
Storage
1. The operation of temperature and R.H. are : $5^{\circ}\text{C} \sim 30^{\circ}\text{C}$, 60%R.H. Max.
2. Once the package is opened, the products should be used within a week. Otherwise, they should be kept in a dampproof box with desiccating reagent. Considering the tape life, we suggest our customers to use our products within 1.5 year (from production date) .
3. It's recommended to bake before soldering when the package is unsealed after 72 hrs. The condition is : $60^{\circ}\text{C} \pm 5^{\circ}\text{C}$ for 15hrs.

■ Reflow Temp/Time



NOTES:

1. We recommend the reflow temperature $245^{\circ}\text{C} (\pm 5^{\circ}\text{C})$. the maximum soldering temperature should be limited to 260°C .
2. dont cause stress to the epoxy resin while it is exposed to high temperature.
3. Number of reflow process shall be 2 times or less.



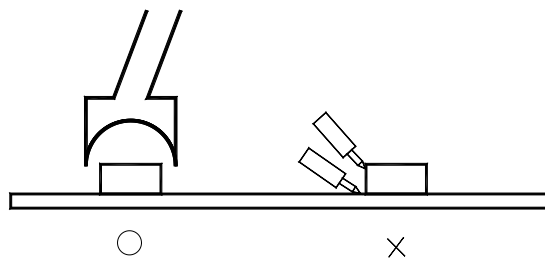
YETDA INDUSTRY LTD.

■Soldering iron

Basic spec is $\leq 5\text{sec}$ when 260°C . If temperature is higher, time should be shorter ($+10^{\circ}\text{C} \rightarrow -1\text{sec}$). Power dissipation of iron should be smaller than 20W, and temperatures should be controllable. Surface temperature of the device should be under 230°C .

■Rework

1. Customer must finish rework within 5 sec under 260°C .
2. The head of iron can not touch copper foil
3. Twin-head type is preferred.



- Avoid rubbing or scraping the resin by any object, during high temperature, for example reflow 、 solder etc.