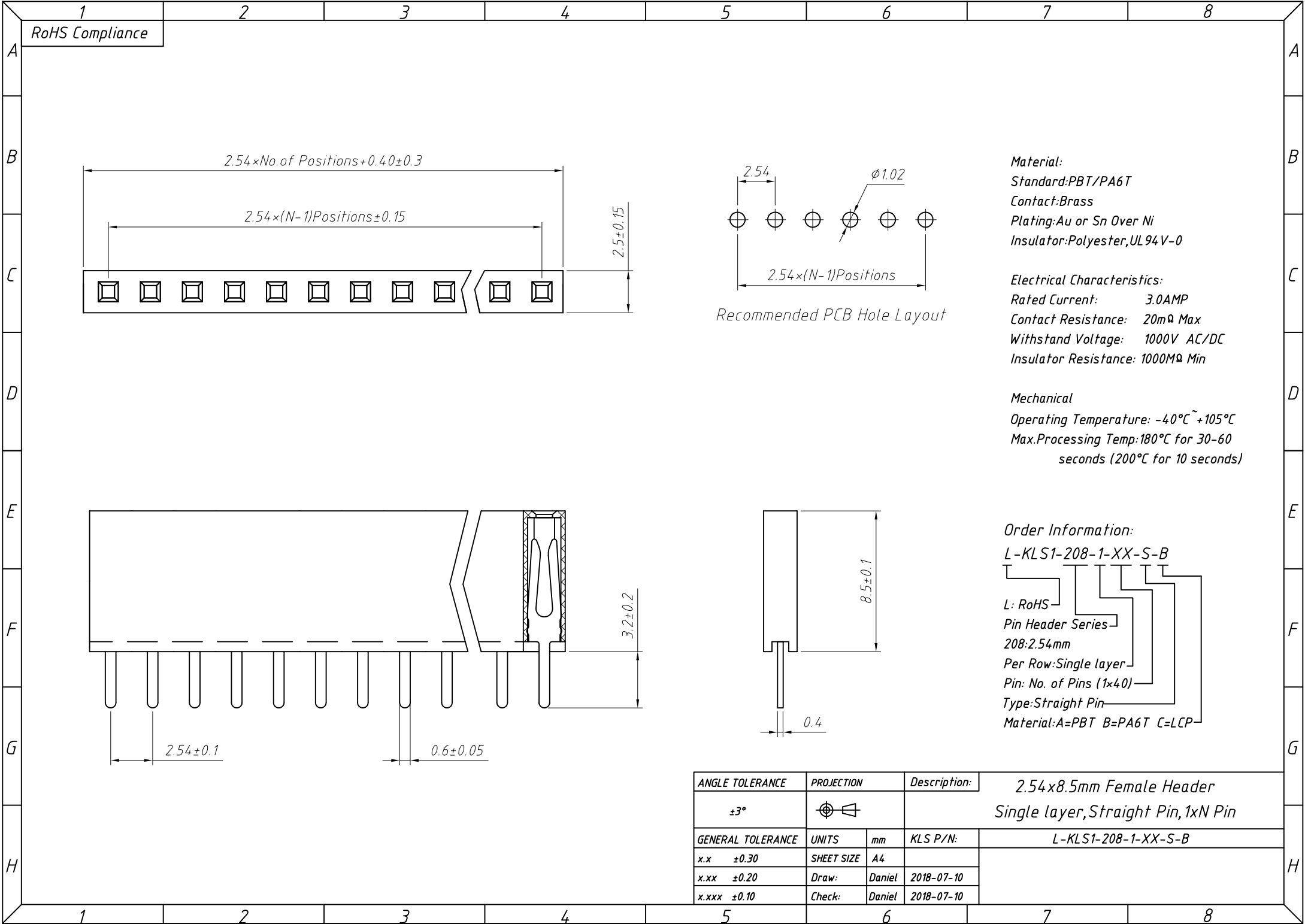


1
RoHS Compliance



Material:
 Standard:PBT/PA6T
 Contact:Brass
 Plating: Au or Sn Over Ni
 Insulator: Polyester, UL94V-0

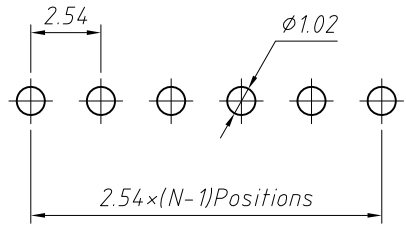
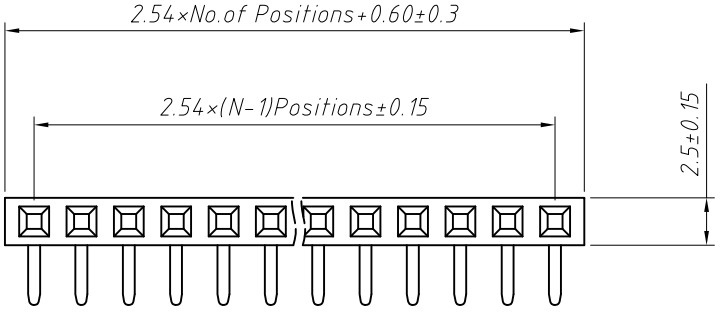
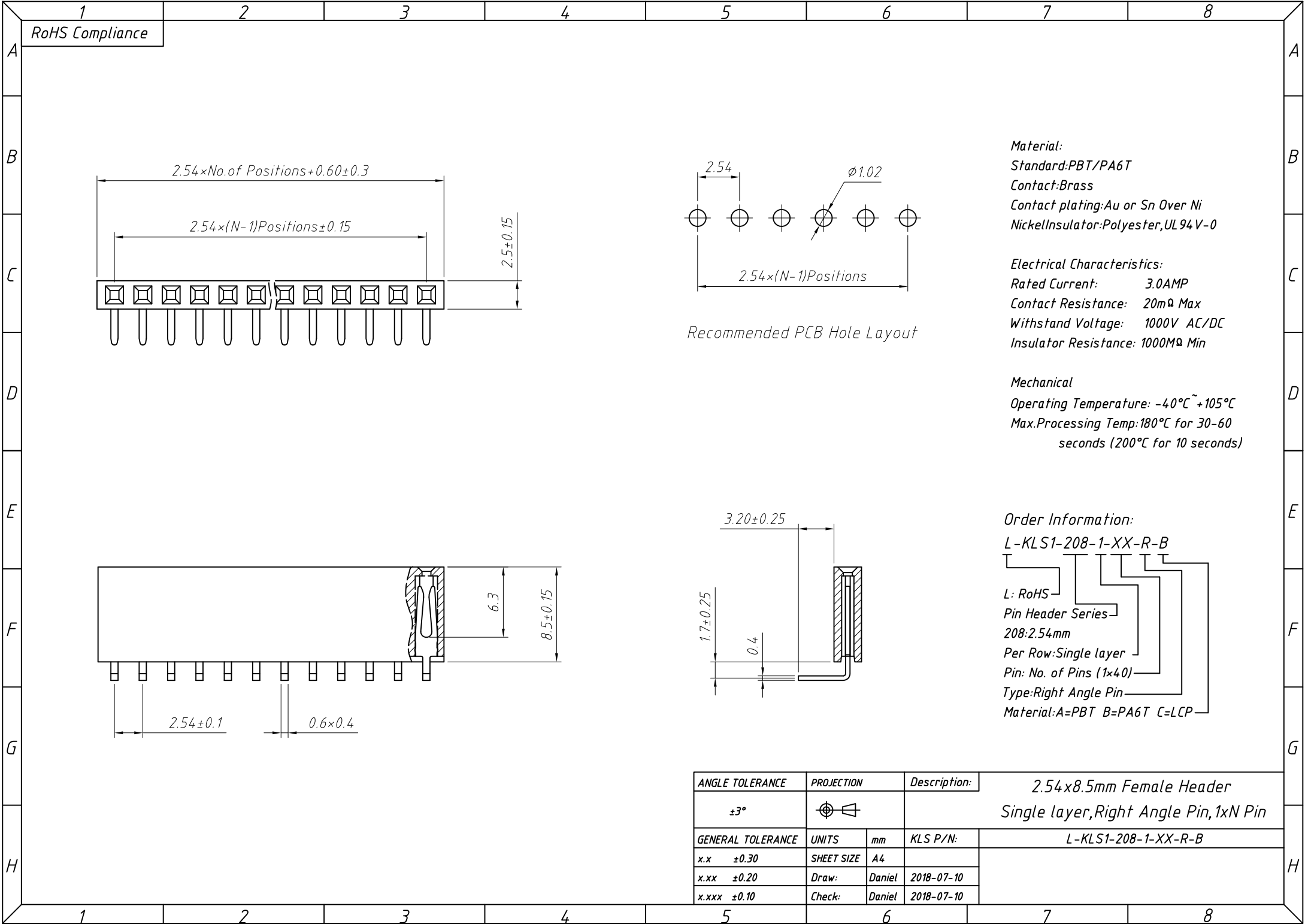
Electrical Characteristics:
 Rated Current: 3.0AMP
 Contact Resistance: 20mΩ Max
 Withstand Voltage: 1000V AC/DC
 Insulator Resistance: 1000MΩ Min

Mechanical
 Operating Temperature: -40°C ~ +105°C
 Max.Processing Temp: 180°C for 30-60 seconds (200°C for 10 seconds)

Order Information:
 L-KLS1-208-1-XX-S-B
 L: RoHS
 Pin Header Series
 208: 2.54mm
 Per Row: Single layer
 Pin: No. of Pins (1x40)
 Type: Straight Pin
 Material: A=PBT B=PA6T C=LCP

| | | | | |
|-------------------|------------|--------------|-------------------------------------|---------------------|
| ANGLE TOLERANCE | PROJECTION | Description: | 2.54x8.5mm Female Header | |
| ±3° | | | Single layer, Straight Pin, 1xN Pin | |
| GENERAL TOLERANCE | UNITS | mm | KLS P/N: | L-KLS1-208-1-XX-S-B |
| x.x ±0.30 | SHEET SIZE | A4 | | |
| x.xx ±0.20 | Draw: | Daniel | 2018-07-10 | |
| x.xxx ±0.10 | Check: | Daniel | 2018-07-10 | |

1
RoHS Compliance

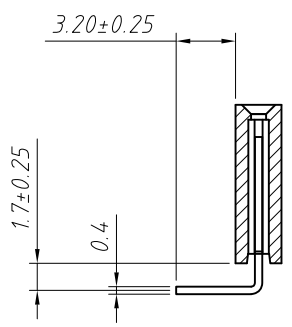
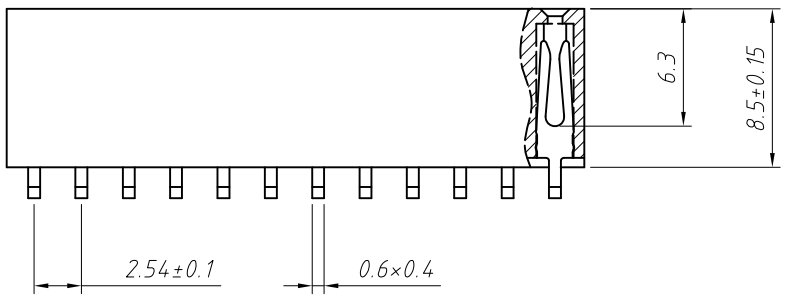


Recommended PCB Hole Layout

Material:
 Standard:PBT/PA6T
 Contact:Brass
 Contact plating: Au or Sn Over Ni
 Nickel Insulator: Polyester, UL 94 V-0

Electrical Characteristics:
 Rated Current: 3.0AMP
 Contact Resistance: 20mΩ Max
 Withstand Voltage: 1000V AC/DC
 Insulator Resistance: 1000MΩ Min

Mechanical
 Operating Temperature: -40°C ~ +105°C
 Max. Processing Temp: 180°C for 30-60 seconds (200°C for 10 seconds)

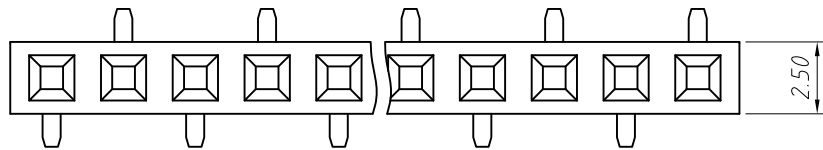


Order Information:
 L-KLS1-208-1-XX-R-B

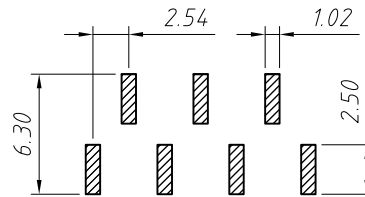
L: RoHS
 Pin Header Series
 208: 2.54mm
 Per Row: Single layer
 Pin: No. of Pins (1x40)
 Type: Right Angle Pin
 Material: A=PBT B=PA6T C=LCP

| | | | | |
|-------------------|------------|--------------|--|---------------------|
| ANGLE TOLERANCE | PROJECTION | Description: | 2.54x8.5mm Female Header | |
| ±3° | | | Single layer, Right Angle Pin, 1xN Pin | |
| GENERAL TOLERANCE | UNITS | mm | KLS P/N: | L-KLS1-208-1-XX-R-B |
| x.x ±0.30 | SHEET SIZE | A4 | | |
| x.xx ±0.20 | Draw: | Daniel | 2018-07-10 | |
| x.xxx ±0.10 | Check: | Daniel | 2018-07-10 | |

1 RoHS Compliance



T2 Type

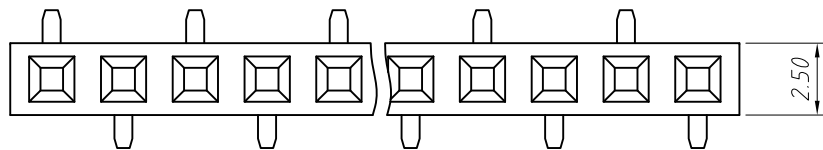


Recommended PCB Hole Layout

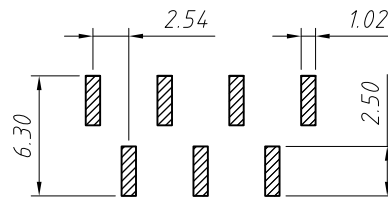
Material:
 Standard:PA6T
 Contact:Brass
 Contact plating: Au or Sn over 50u" Ni
 Nickel Insulator: Polyester, UL 94V-0

Electrical Characteristics:
 Rated Current: 3.0AMP
 Contact Resistance: 20mΩ Max
 Withstand Voltage: 1000V AC/DC
 Insulator Resistance: 1000MΩ Min

Mechanical
 Operating Temperature: -40°C ~ +105°C
 Max. Processing Temp: 230°C for 30-60 seconds (260°C for 10 seconds)

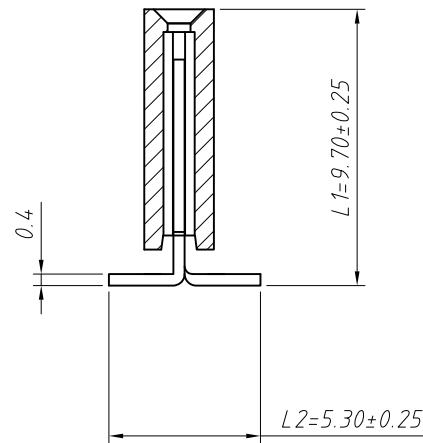
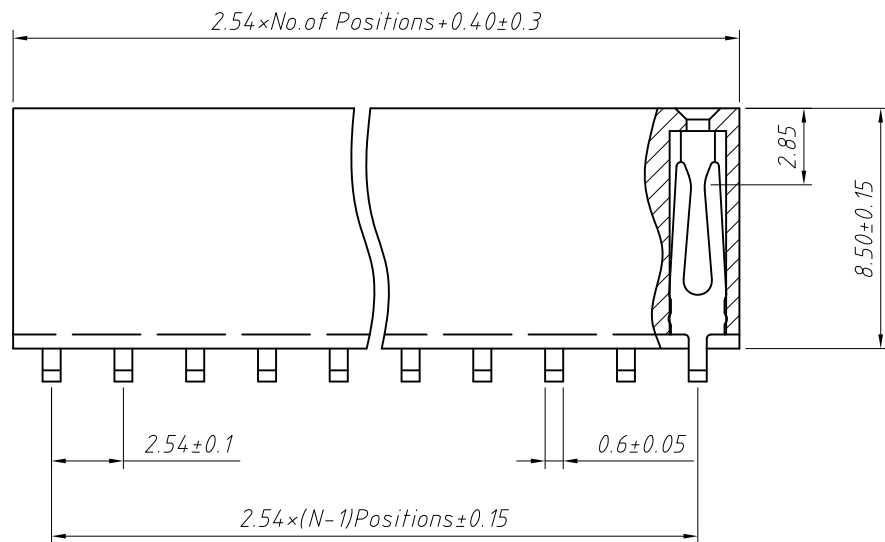
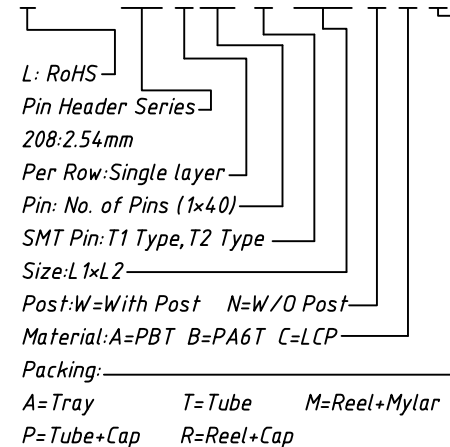


T1 Type



Order Information:

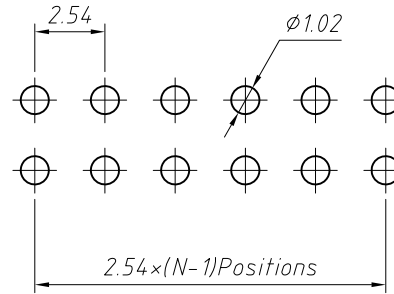
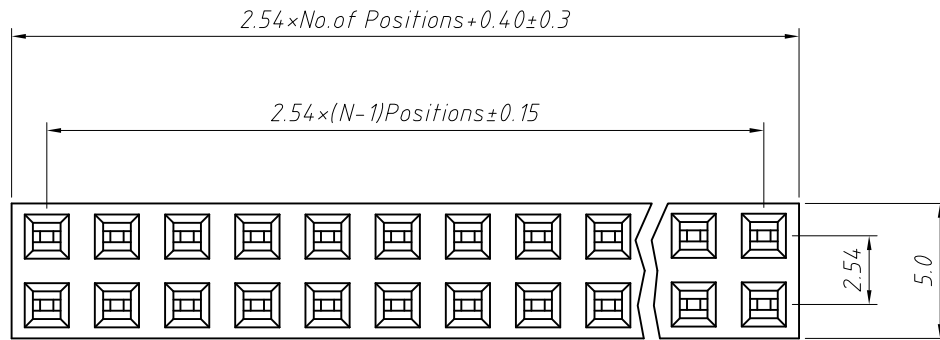
L-KLS1-208-1-XX-T1-L1xL2-N-B-R



| Dimension antitheses list (mm) | | | |
|--------------------------------|------|------|----------------|
| ITEM | L1 | L2 | Plastic Height |
| Standard | 9.70 | 5.30 | 8.50 |
| Nonstandard | --- | --- | --- |

| ANGLE TOLERANCE | PROJECTION | Description: |
|-------------------|------------|--|
| ±3° | | 2.54x8.5mm Female Header Single layer, SMT Pin, 1xN Pin |
| GENERAL TOLERANCE | UNITS | mm |
| x.x ±0.30 | SHEET SIZE | A4 |
| x.xx ±0.20 | Draw: | Daniel 2018-07-10 |
| x.xxx ±0.10 | Check: | Daniel 2018-07-10 |
| | | KLS P/N: |
| | | L-KLS1-208-1-XX-T1-L1xL2-N-B-R |

1 RoHS Compliance

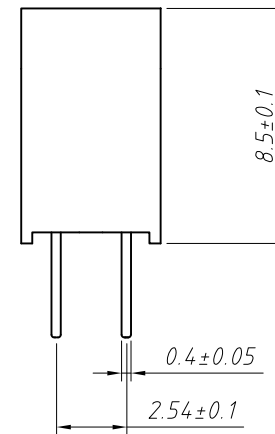
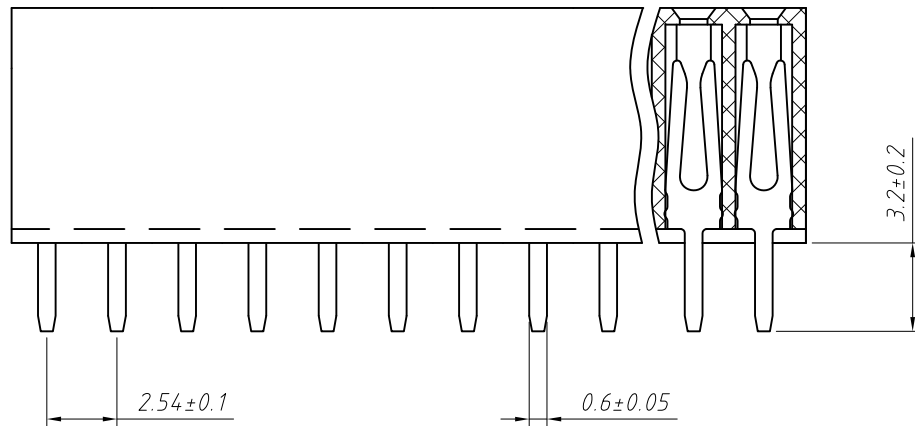


Recommended PCB Hole Layout

Material:
 Standard: PBT/PA6T
 Contact: Brass
 Contact plating: Gold Flash all over
 Nickel Insulator: Polyester, UL 94 V-0

Electrical Characteristics:
 Rated Current: 3.0AMP
 Contact Resistance: 20mΩ Max
 Withstand Voltage: 1000V AC/DC
 Insulator Resistance: 1000MΩ Min

Mechanical
 Operating Temperature: -40°C ~ +105°C
 Max. Processing Temp: 180°C for 30-60 seconds (200°C for 10 seconds)



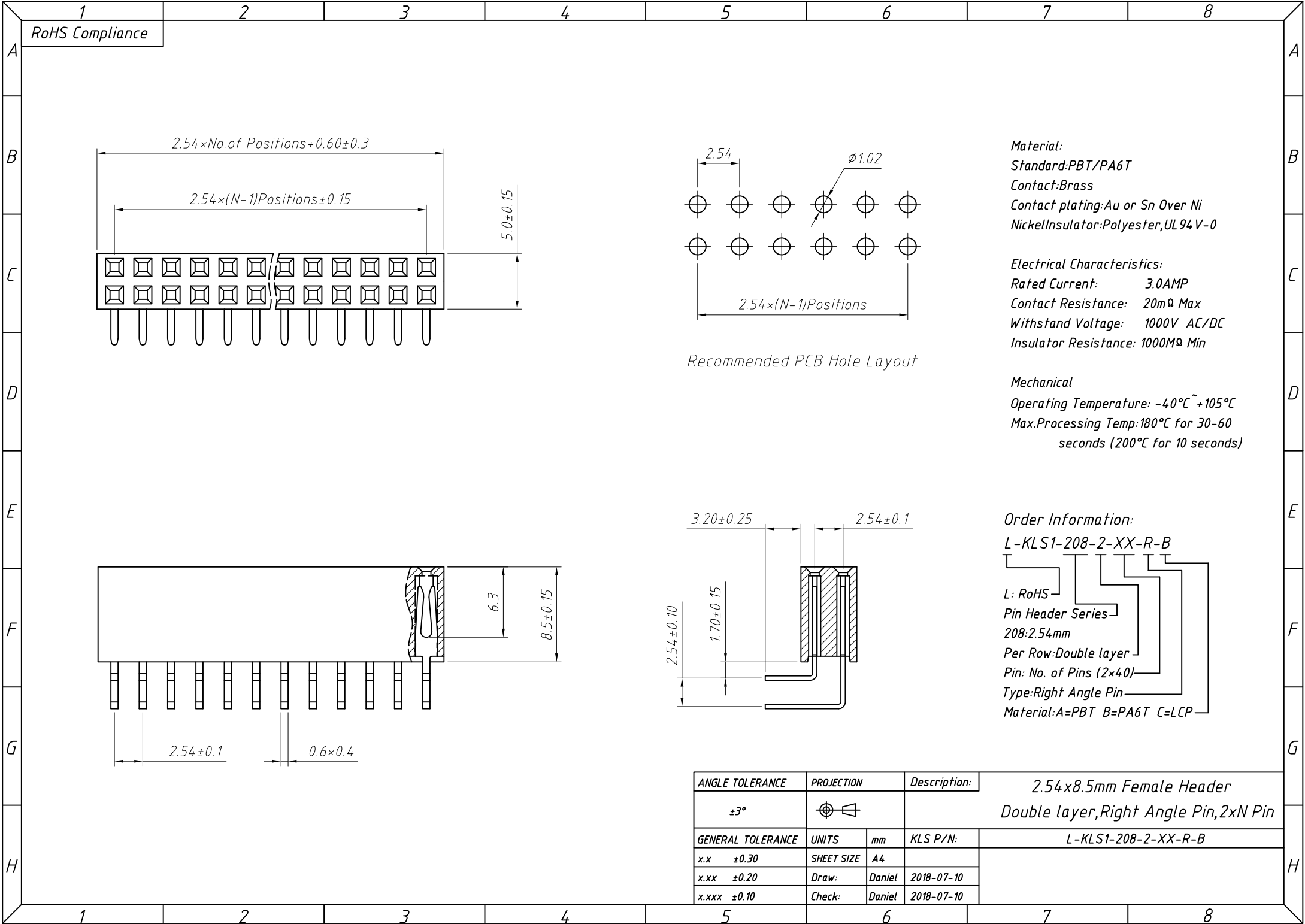
Order Information:

L-KLS1-208-2-XX-S-B

L: RoHS
 Pin Header Series
 208: 2.54mm
 Per Row: Double layer
 Pin: No. of Pins (2x40)
 Type: Straight Pin
 Material: A=PBT B=PA6T C=LCP

| ANGLE TOLERANCE | PROJECTION | Description: |
|------------------------------|------------|---|
| ±3° | | 2.54x8.5mm Female Header Double layer, Straight Pin, 2xN Pin |
| GENERAL TOLERANCE | UNITS | mm |
| x.x ±0.30 | SHEET SIZE | A4 |
| x.xx ±0.20 | Draw: | Daniel 2018-07-10 |
| x.xxx ±0.10 | Check: | Daniel 2018-07-10 |
| KLS P/N: L-KLS1-208-2-XX-S-B | | |

1
RoHS Compliance



Material:
 Standard: PBT/PA6T
 Contact: Brass
 Contact plating: Au or Sn Over Ni
 Nickel Insulator: Polyester, UL 94 V-0

Electrical Characteristics:
 Rated Current: 3.0AMP
 Contact Resistance: 20mΩ Max
 Withstand Voltage: 1000V AC/DC
 Insulator Resistance: 1000MΩ Min

Mechanical
 Operating Temperature: $-40^{\circ}\text{C} \sim +105^{\circ}\text{C}$
 Max. Processing Temp: 180°C for 30-60 seconds (200°C for 10 seconds)

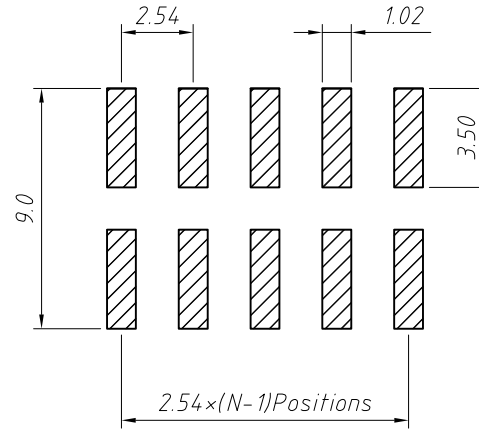
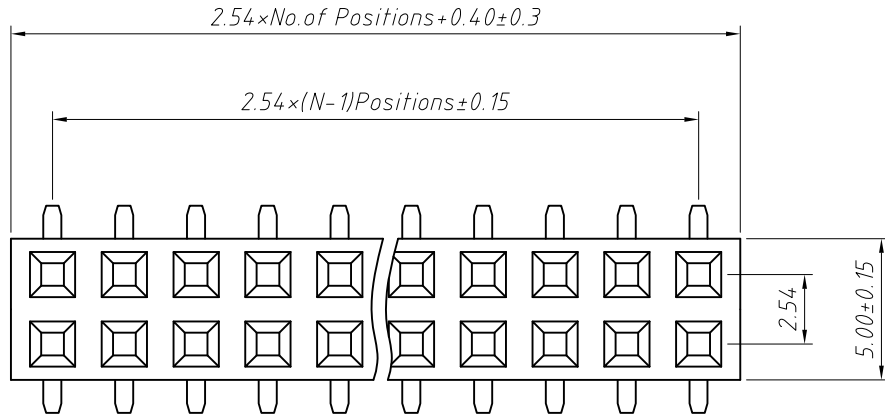
Recommended PCB Hole Layout

Order Information:
 L-KLS1-208-2-XX-R-B

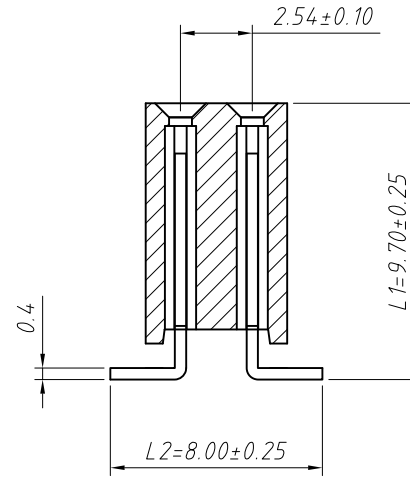
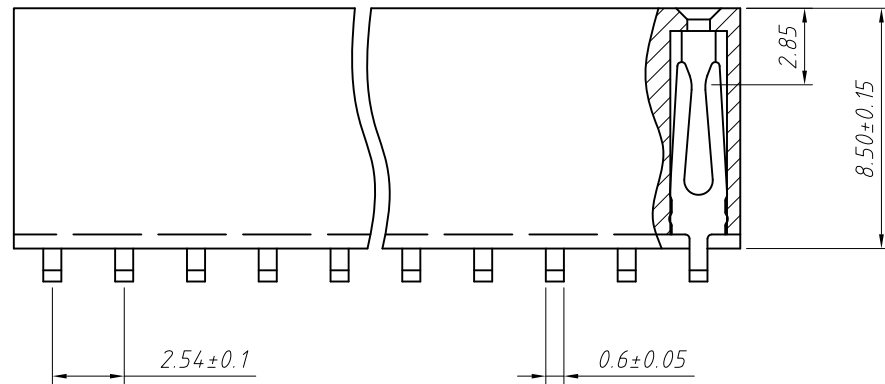
L: RoHS
 Pin Header Series
 208: 2.54mm
 Per Row: Double layer
 Pin: No. of Pins (2x40)
 Type: Right Angle Pin
 Material: A=PBT B=PA6T C=LCP

| | | | | |
|-------------------|------------|--------------|--|---------------------|
| ANGLE TOLERANCE | PROJECTION | Description: | 2.54x8.5mm Female Header | |
| $\pm 3^{\circ}$ | | | Double layer, Right Angle Pin, 2xN Pin | |
| GENERAL TOLERANCE | UNITS | mm | KLS P/N: | L-KLS1-208-2-XX-R-B |
| x.x ± 0.30 | SHEET SIZE | A4 | | |
| x.xx ± 0.20 | Draw: | Daniel | 2018-07-10 | |
| x.xxx ± 0.10 | Check: | Daniel | 2018-07-10 | |

1 RoHS Compliance



Recommended PCB Hole Layout



Material:
 Standard: PA6T
 Contact: Brass
 Contact plating: Au or Sn over 50u" Ni
 Nickel Insulator: Polyester, UL 94 V-0

Electrical Characteristics:
 Rated Current: 3.0AMP
 Contact Resistance: 20mΩ Max
 Withstand Voltage: 1000V AC/DC
 Insulator Resistance: 1000MΩ Min

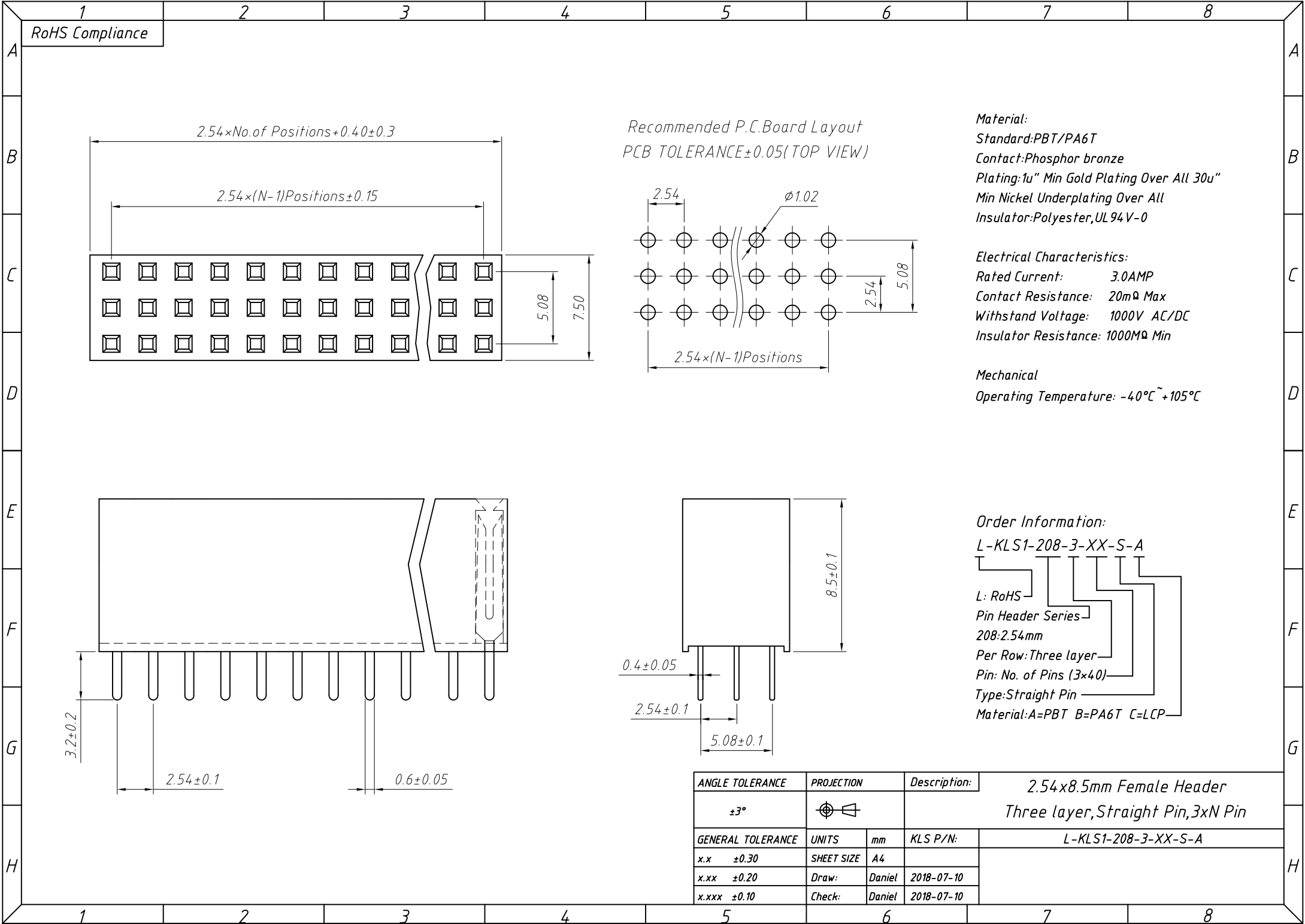
Mechanical
 Operating Temperature: $-40^{\circ}\text{C} \sim +105^{\circ}\text{C}$
 Max. Processing Temp: 230°C for 30-60 seconds (260°C for 10 seconds)

Order Information:
 L-KLS1-208-2-XX-T-L1xL2-B-R
 L: RoHS
 Pin Header Series
 208: 2.54mm
 Per Row: Double layer
 Pin: No. of Pins (2x40)
 SMT Pin:
 T=Without Post, T3=With Post
 Size: L1xL2
 Material: A=PBT B=PA6T C=LCP
 Packing:
 A=Tray T=Tube M=Reel+Mylar
 P=Tube+Cap R=Reel+Cap

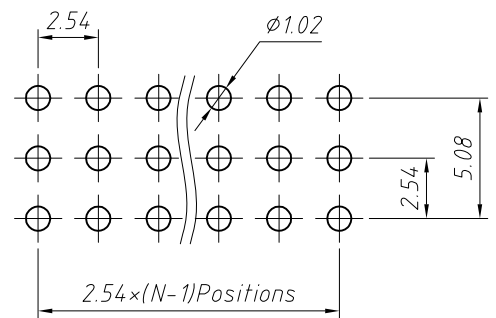
| Dimension antitheses list (mm) | | | |
|--------------------------------|------|------|----------------|
| ITEM | L1 | L2 | Plastic Height |
| Standard | 9.70 | 8.00 | 8.50 |
| Nonstandard | --- | --- | --- |

| ANGLE TOLERANCE | PROJECTION | Description: |
|-----------------------------|------------|--|
| $\pm 3^{\circ}$ | | 2.54x8.5mm Female Header Double layer, SMT Pin, 2xN Pin |
| GENERAL TOLERANCE | UNITS | mm |
| x.x ± 0.30 | SHEET SIZE | A4 |
| x.xx ± 0.20 | Draw: | Daniel 2018-07-10 |
| x.xxx ± 0.10 | Check: | Daniel 2018-07-10 |
| L-KLS1-208-2-XX-T-L1xL2-B-R | | |

1
RoHS Compliance



Recommended P.C.Board Layout
PCB TOLERANCE±0.05(TOP VIEW)



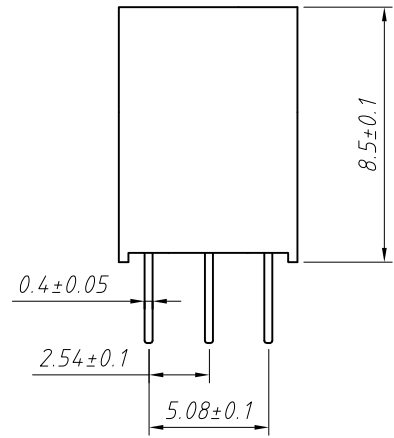
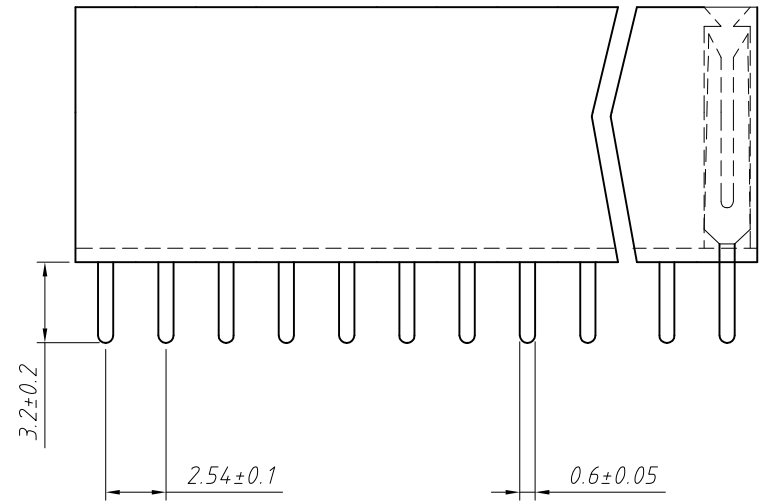
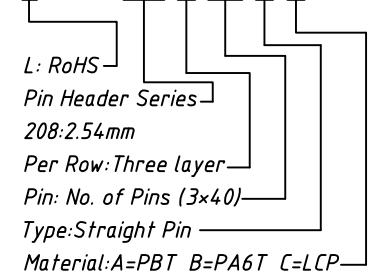
Material:
Standard:PBT/PA6T
Contact:Phosphor bronze
Plating:1u" Min Gold Plating Over All 30u"
Min Nickel Underplating Over All
Insulator:Polyester,UL 94V-0

Electrical Characteristics:
Rated Current: 3.0AMP
Contact Resistance: 20mΩ Max
Withstand Voltage: 1000V AC/DC
Insulator Resistance: 1000MΩ Min

Mechanical
Operating Temperature: -40°C ~ +105°C

Order Information:

L-KLS1-208-3-XX-S-A



| | | | |
|-------------------|------------|--------------|------------------------------------|
| ANGLE TOLERANCE | PROJECTION | Description: | 2.54x8.5mm Female Header |
| ±3° | | | Three layer, Straight Pin, 3xN Pin |
| GENERAL TOLERANCE | UNITS | mm | KLS P/N: |
| x.x ±0.30 | SHEET SIZE | A4 | L-KLS1-208-3-XX-S-A |
| x.xx ±0.20 | Draw: | Daniel | 2018-07-10 |
| x.xxx ±0.10 | Check: | Daniel | 2018-07-10 |

1 RoHS Compliance

A

B

C

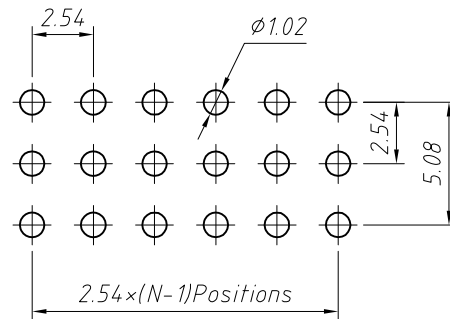
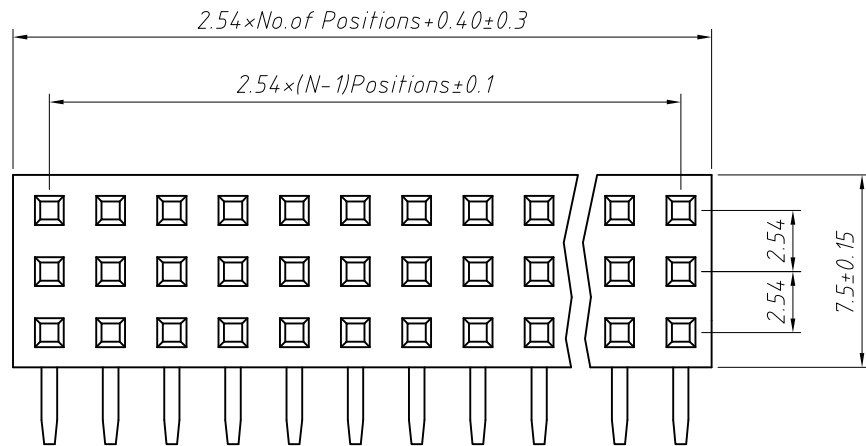
D

E

F

G

H

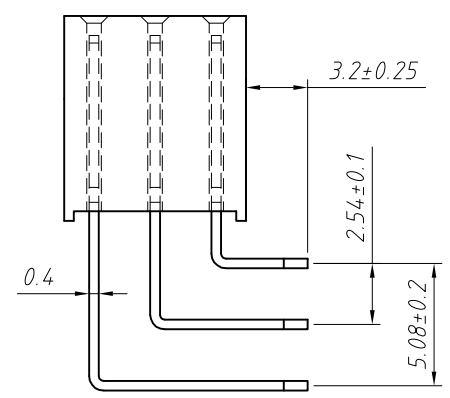
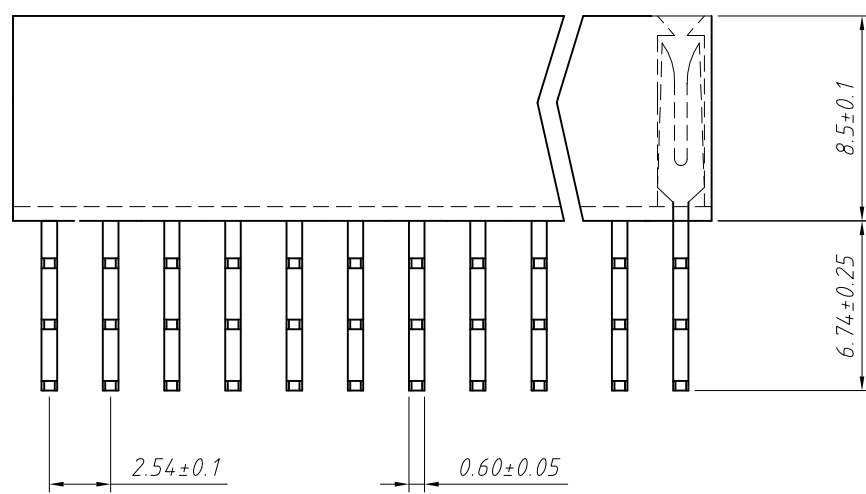


Recommended P.C. Board Layout
PCB TOLERANCE ± 0.05 (TOP VIEW)

Material:
Standard: PBT/PA6T
Contact: Brass
Plating: Au or Sn Over 50u" Ni
Insulator: Polyester, UL 94V-0

Electrical Characteristics:
Rated Current: 3.0AMP
Contact Resistance: 20mΩ Max
Withstand Voltage: 1000V AC/DC
Insulator Resistance: 1000MΩ Min

Mechanical
Operating Temperature: -40°C ~ +105°C
Max. Processing Temp: 180°C for 30-60 seconds (200°C for 10 seconds)



Order Information:
L-KLS1-208-3-XX-R-A

L: RoHS
Pin Header Series
208: 2.54mm
Per Row: Three layer
Pin: No. of Pins (3x40)
Type: Right Angle Pin
Material: A=PBT B=PA6T C=LCP

| | | | |
|-------------------|------------|--------------|---------------------------------------|
| ANGLE TOLERANCE | PROJECTION | Description: | 2.54x8.5mm Female Header |
| ±3° | | | Three layer, Right Angle Pin, 3xN Pin |
| GENERAL TOLERANCE | UNITS | mm | KLS P/N: |
| x.x ±0.30 | SHEET SIZE | A4 | L-KLS1-208-3-XX-R-A |
| x.xx ±0.20 | Draw: | Daniel | 2018-07-10 |
| x.xxx ±0.10 | Check: | Daniel | 2018-07-10 |

1 2 3 4 5 6 7 8

A

B

C

D

E

F

G

H