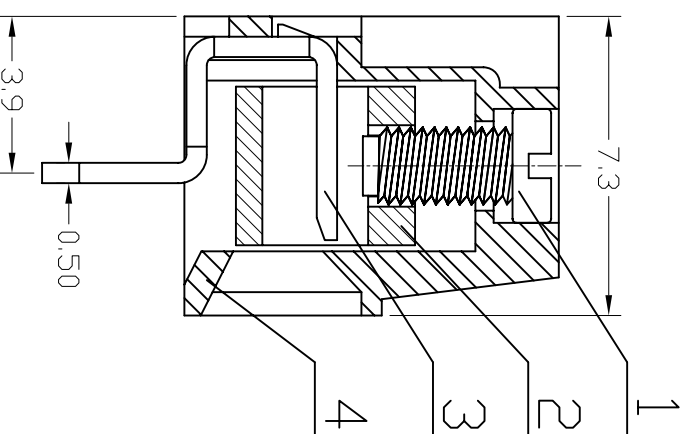
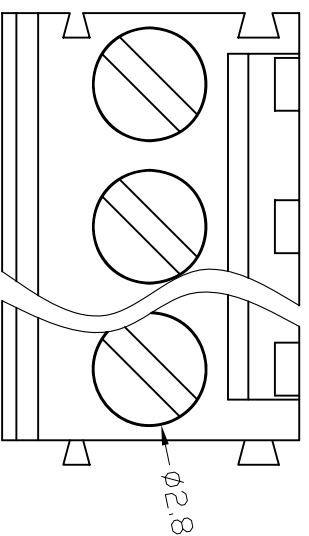
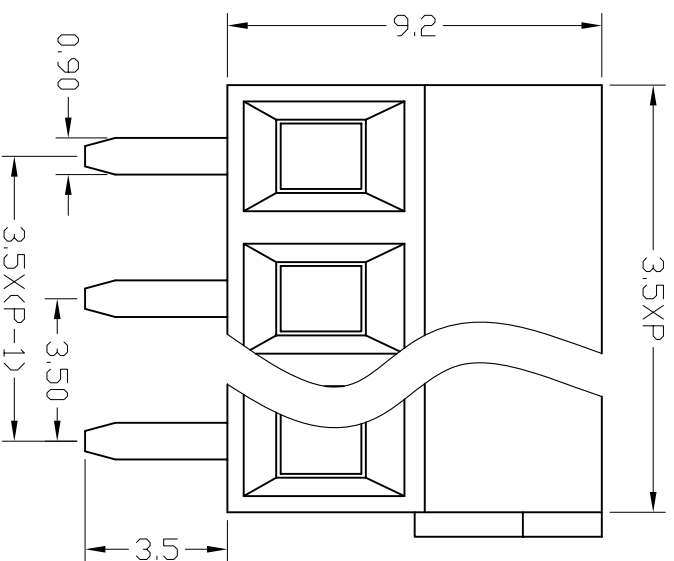


序号/Rev.No.	名称/Title	文件编号/Title No.
1	XY302 螺丝	QJ/XYT-2148101
2	XY302 铜方块	QJ/XYT-2148102
3	XY302V 端子	QJ/XYT-2148104
4	XY302 塑件	QJ/XYT-2148103



150V 10A 26-16AWG 1.0mm²
Poles: 2P&3P-24P
Pitch: 3.5mm (.138")

Materials

Housing: PA66 (UL 94V-0)
Solder Pin: Brass, Tin Plated
Wire Cage: Brass, Nickel Plated
Screw: M2, Steel (A3), Zinc Plated
Torque: 0.2N.m

设计/Designed by	绘图/Drawing by	审核/Checked by	批准/Approved by	未注公差 General Tolerance	
				X	±0.2
				.X	±0.1
				.XX	±0.05
				.XXX	±0.01
图名/Title: XY302V-3.5 文件编号/File No.: QJ/XYT-2248100 产品图 页序/Sheet:				单位/units: mm	
设计/Designed by: 新莱亚电子 绘图/Drawing by: XINLEIYA ELECTRONIC CO., LTD 审核/Checked by: 批准/Approved by: 图名/Title: XY302V-3.5 文件编号/File No.: QJ/XYT-2248100 产品图 页序/Sheet: 单位/units: mm					

序号/Rev.No.	更改记录/Revision note	签名/Signature	日期/Date