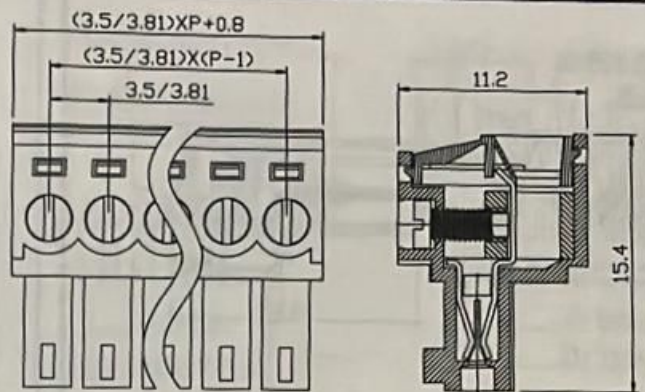


产品照片  
Product Photo



XY2500FG-3.5 XY2500FC-3.81

产品图纸  
Product Plah



UL

IEC

2P-24P

3.5mm(.138")/3.81mm(.150")

300V

250V

8A

7A

28-16AWG

0.5-1.5mm<sup>2</sup>

AC2500V/Min

0.2N.m(1.7Lb-In.)

-40°C~+105°C

6-7mm

PA66 (UL 94V-0)

-

Phosphor Bronze,Nickel Plated

M2,steel,A3,Zn plated

Brass,Nickel Plated

认证	Certification
标准	Standard
极数	Poles
产品间距	Pitch
额定电压	Voltage Rating
额定电流	Current Rating
导线截面	Wire range
耐电压	Withstanding Voltage
额定扭矩	Rated torque
环境温度	Ambient temperature
剥线长度	Strip length
塑件	Housing
弹片	Spring
触点材料	Contact
螺丝	Screws
方盒	Cage

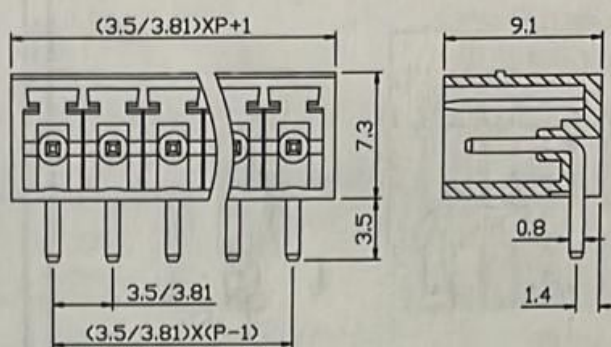



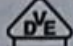
产品照片  
Product Photo



XY2500RG-3.5 XY2500RF-3.81

产品图纸  
Product Plah



认证	Certification		
标准	Standard	UL	IEC
极数	Poles	2P-24P	
产品间距	Pitch	3.5mm(.138")/3.81mm(.150")	
额定电压	Voltage Rating	300V	250V
额定电流	Current Rating	8A	7A
导线截面	Wire range	-	-
耐电压	Withstanding Voltage	AC2500V/Min	
额定扭矩	Rated torque	-	
环境温度	Ambient temperature	-40°C~+105°C	
剥线长度	Strip length	-	
塑件	Housing	PA66 ( UL 94V-0 )	
弹片	Spring	-	
触点材料	Contact	Brass, Tin Plated	
螺丝	Screws	-	
方盒	Cage	-	