

## General Description

The DW01A battery protection IC is designed to protect lithium-ion/polymer battery from damage or degrading the lifetime due to overcharge, overdischarge, and/or overcurrent for one-cell lithium-ion/polymer battery powered systems, such as cellular phones.

The ultra-small package and less required external components make it ideal to integrate the DW01A into the limited space of battery pack. The accurate  $\pm 50\text{mV}$  overcharging detection voltage ensures safe and full utilization charging. The very low standby current drains little current from the cell while in storage.

## Features

- **Reduction in Board Size due to Miniature Package SOT-23-6.**
- **Ultra-Low Quiescent Current at  $3\ \mu\text{A}$  ( $V_{\text{CC}}=3.6\text{V}$ ).**
- **Overdischarge Current at  $4\ \mu\text{A}$  ( $V_{\text{CC}}=1.8\text{V}$ ).**
- **Precision Overcharge Protection Voltage  $4.3\text{V} \pm 50\text{mV}$**
- **Two Detection Levels for Overcurrent Protection.**
- **Delay times are generated by internal circuits. No external capacitors required.**

## Ordering Information

DW01A

PACKAGE TYPE  
SOT-23-6

TEMPERATURE RANGE  
 $-40^{\circ}\text{C}\sim+85^{\circ}\text{C}$

OVERCHARGE PROTECTION  
 $4.3\text{V} \pm 50\text{mV}$

## Applications

- **Protection IC for One-Cell Lithium-Ion / Lithium-Polymer Battery Pack**

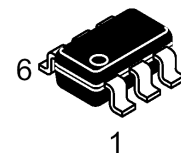
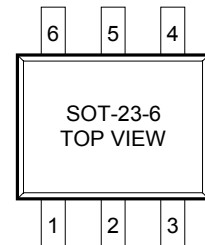
# DW01A

## Product Name List

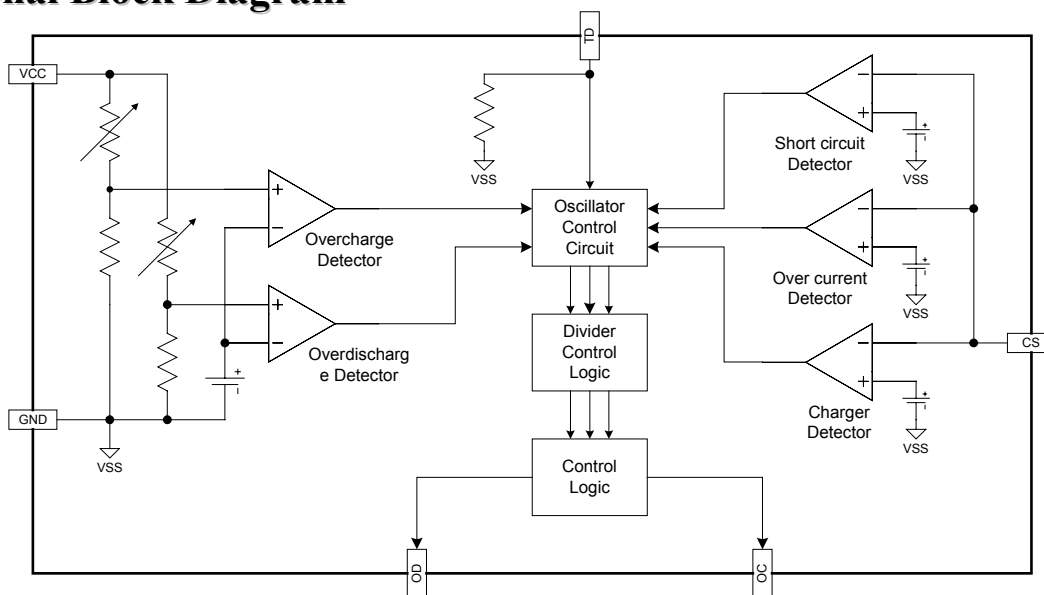
Product	Package	Overcharge detection voltage [VOCP] (V)	Overcharge release voltage [VOCR] (V)	Overdischarge detection voltage [VODP] (V)	Overdischarge release voltage [VODR] (V)	Overcurrent detection voltage [VOI1] (mV)	0V battery charge function	Stand by function release
DW01A	SOT-23-6	4.300±0.050	4.100±0.050	2.40±0.100	3.0±0.100	150±30	available	Auto Recovery

## Pin Configuration

Pin No.	Symbol	Description
1	OD	MOSFET gate connection pin for discharge control
2	CS	Input pin for current sense, charger detect
3	OC	MOSFET gate connection pin for charge control
4	TD	Test pin for reduce delay time
5	VCC	Power supply, through a resistor (R1)
6	GND	Ground pin

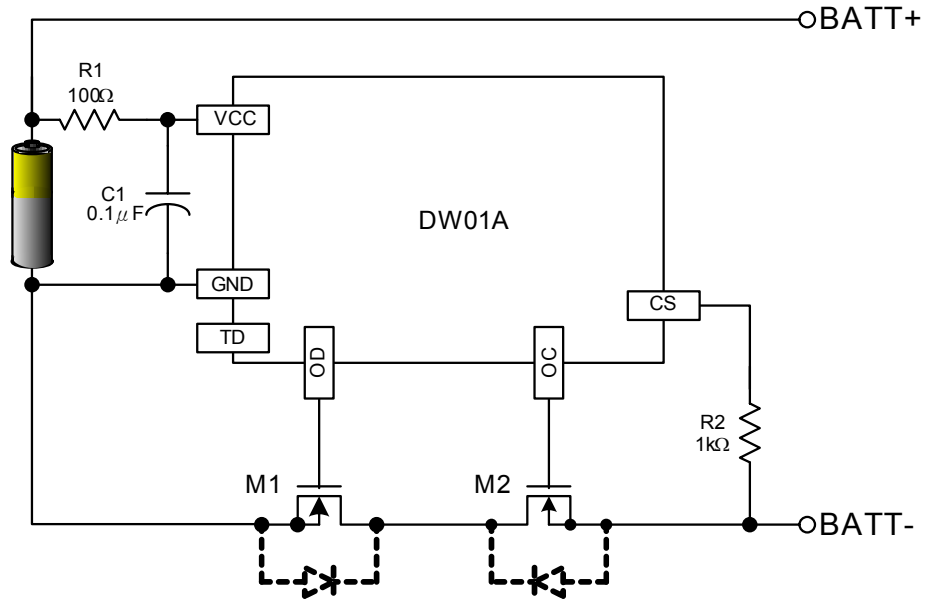


## Functional Block Diagram



# DW01A

## Typical Application Circuit



## Absolute Maximum Ratings

(VSS=0V, Ta=25°C unless otherwise specified)

Item	Symbol	Rating	Unit
Input voltage between VDD and VSS	VDD	0.3 to 10	V
OC output pin voltage	VOC	VDD-24 to VDD+0.3	V
OD output pin voltage	VOD	VSS-0.3 to VDD+0.3	V
CS input pin voltage	Vcs	VDD-24 to VDD+0.3	V
Operating Temperature Range	TOP	-40 to +85	°C
Storage Temperature Range	TST	-40 to +125	°C

# DW01A

## Electrical Characteristics

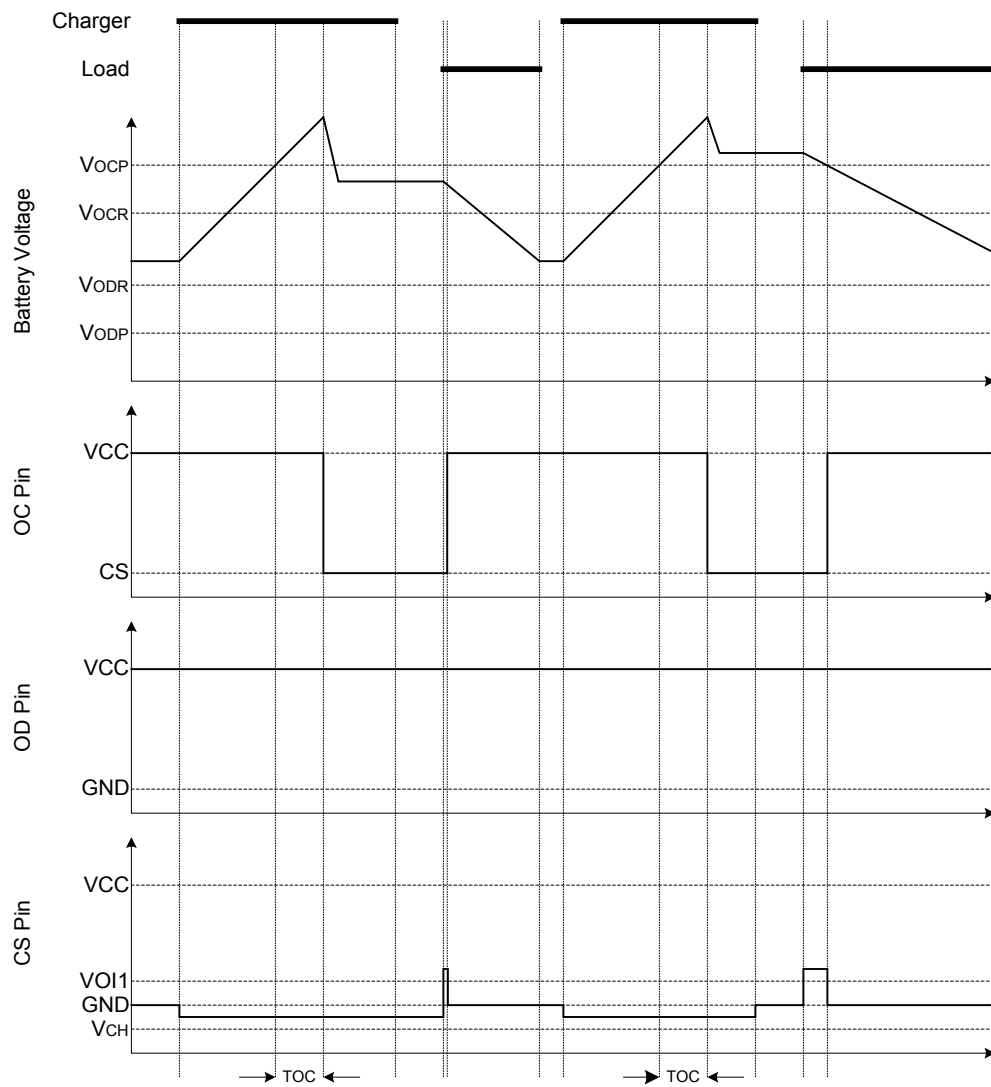
(Ta=25 °C unless otherwise specified)

PARAMETER	TEST CONDITIONS	SYMBOL	Min	Typ	Max	UNIT
Supply Current	VCC=3.6V	ICC		3.0	6.0	μA
Power-Down Current	VCC=1.8V	IPD			4	μA
0V Battery Charge Starting Charger Voltage		V0CHA	1.2			V
Overcharge Protection Voltage		VOCP	4.25	4.30	4.35	V
Overcharge Release Voltage		VOCR	4.05	4.10	4.15	V
Overdischarge Protection Voltage		VODP	2.30	2.40	2.50	V
Overdischarge Release Voltage		VODR	2.90	3.00	3.10	V
Overcurrent Protection Voltage		VOIP (VOI1)	120	150	180	mV
Short Current Protection Voltage	VCC=3.0V	VSIP (VOI2)	1.0	1.2	1.4	V
Overcharge Delay Time		Toc		80	200	ms
Overdischarge Delay Time	VCC=3.2V to 2.0V	TOD		40	200	ms
Overcurrent Delay Time (1)	VCC=3.0V	TOI1		10	20	ms
Overcurrent Delay Time (2)	VCC=3.5V	TOI2		5	50	μs
Charger Detection Threshold Voltage		VCH	-1.2	-0.7	-0.2	V
OD Pin Output "H" Voltage		V <sub>DH</sub>	VCC-0.1	VCC-0.02		V
OD Pin Output "L" Voltage		V <sub>DL</sub>		0.1	0.5	V
OC Pin Output "H" Voltage		V <sub>CH</sub>	VCC-0.1	VCC-0.02		V
OC Pin Output "L" Voltage		V <sub>CL</sub>		0.1	0.5	V

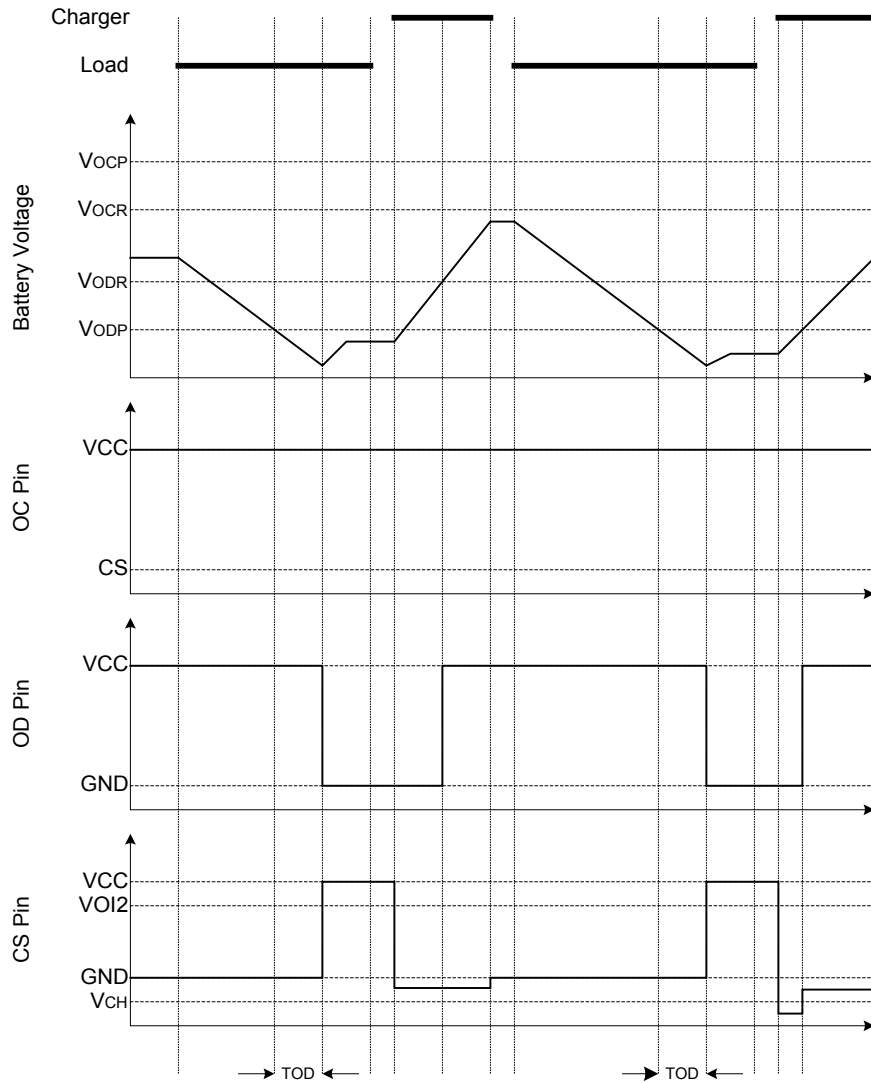
# DW01A

## Timing Diagram

### 1. Overcharge Condition → Load Discharging → Normal Condition



## 2. Overdischarge Condition → Charging by a Charger → Normal Condition



# DW01A

## 3. Over Current Condition → Normal Condition

