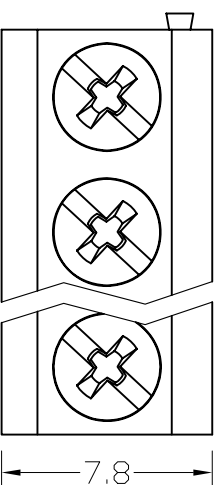
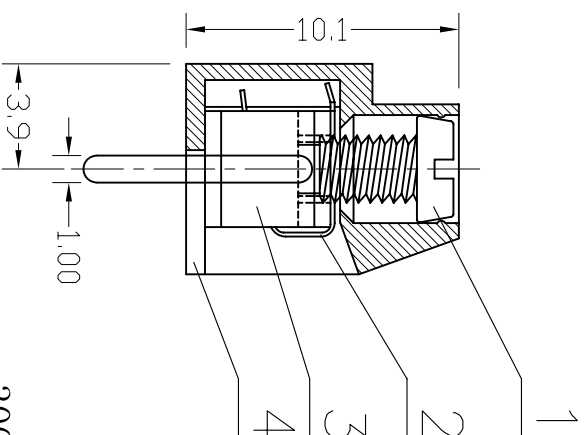
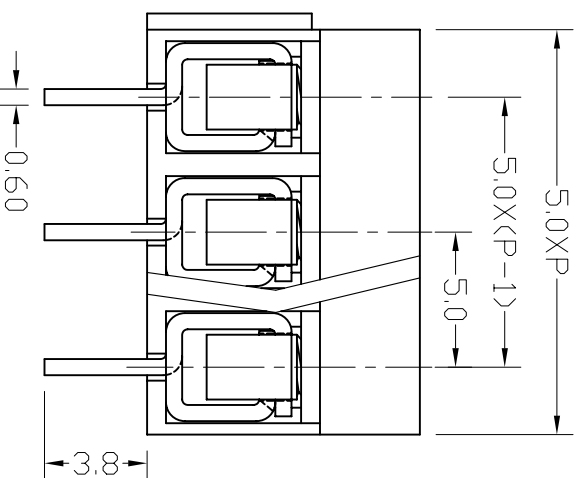


序号/Rev.No.	名称/Title	文件编号/File No.
1	XY126螺丝	QJ/XYT-2121101
2	XY126簧片	QJ/XYT-2121102
3	XY126V端子	QJ/XYT-2121103
4	XY126V塑件5.0	QJ/XYT-2121104



300V 10A 26-14AWG 2.5mm²
 Poles: 2P&3P-24P
 Pitch: 5.0mm (.197")

Materials
 Housing: PA66 (UL 94V-0)
 Wire Protector: Stainless Steel
 Solder Pin: Brass, Tin Plated
 Screw: M2.5, Steel (A3), Zinc Plated
 Torque: 0.4N.m

设计/Designed by	绘图/Drawing by	审核/Checked by	批准/Approved by	未注公差 General Tolerance
----------------	---------------	---------------	----------------	---------------------------

图名/Title	文件编号/File No.	X	±0.2	X	±0.2
XY126V-5.0	QJ/XYT-2221100	.X	±0.1	.X	±0.1
产品图		.XX	±0.05	.XX	±0.05
	页序/Sheet	.XXX	±0.01	.XXX	±0.01