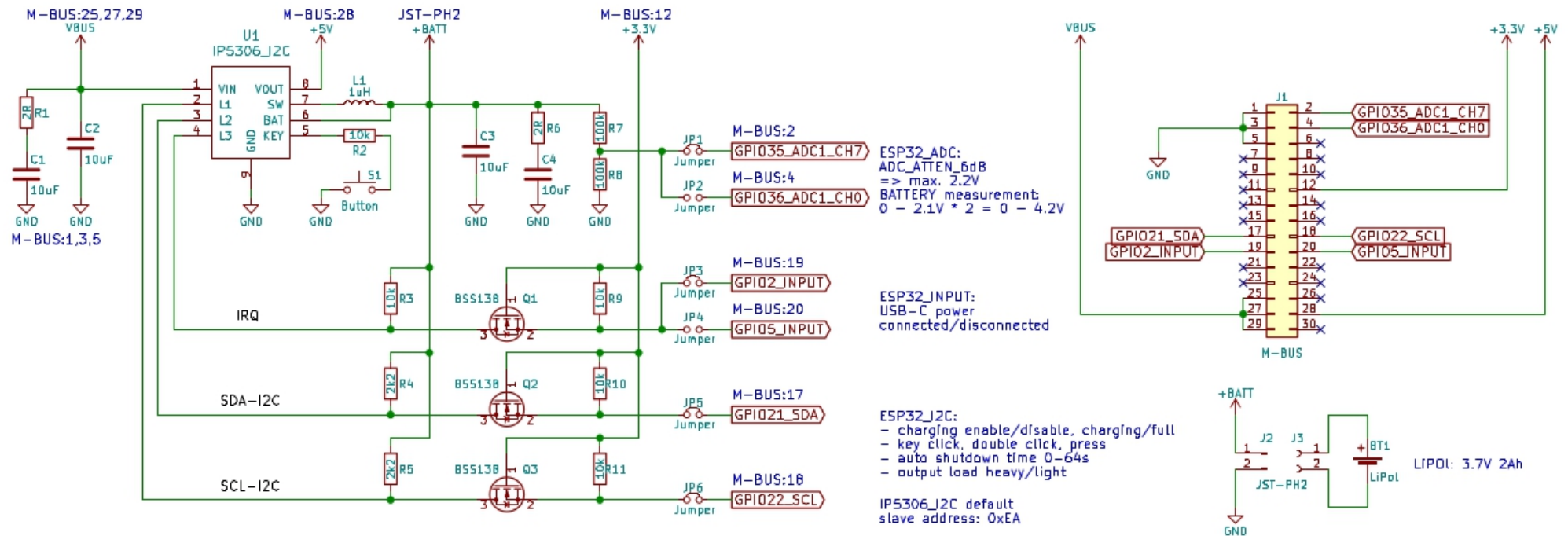


## BATTERY MODULE for M5Stack with control and with informations thru I2C (M5Stack internal POWER BANK)



Adjustment of the main board M5Stack CORE:

- disconnect IC5306 (pins 1 to 8)
- connect M-BUS HPWR (pins 25,27,29) to USB power (to fuse 2A or to pin 1 of the IC5306 that was disconnected)

The original button on CORE represents RESET only,  
new button on BATTERY MODULE represents POWER on/off.

It is necessary to use AC adapter with output 5V 2A for charging.

Adjustment of the main board M5Stack CORE:

1. disconnect IC5306 (pins 1 to 8)
2. connect M-BUS HPWR (pins 25,27,29) to USB power (to fuse 2A or to pin 1 of the IC5306 that was disconnected)

JIKuch

Sheet: /  
File: M5Stack\_IP5306\_J2C.sch

**Title: BATTERY MODULE for M5Stack**

Size: A4 Date: 7.1.2018  
KiCad E.D.A. kicad 4.0.7-e2-637658ubuntu16.04.1

Rev: 1.00  
Id: 1/1