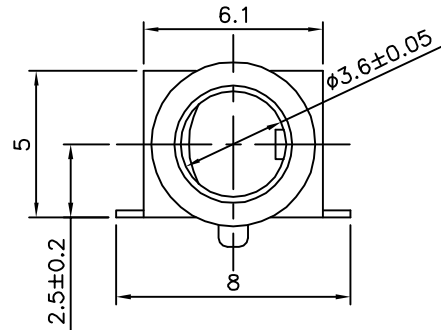
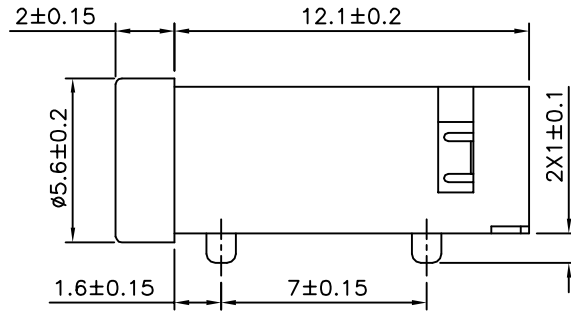


△ SPECIFICATION

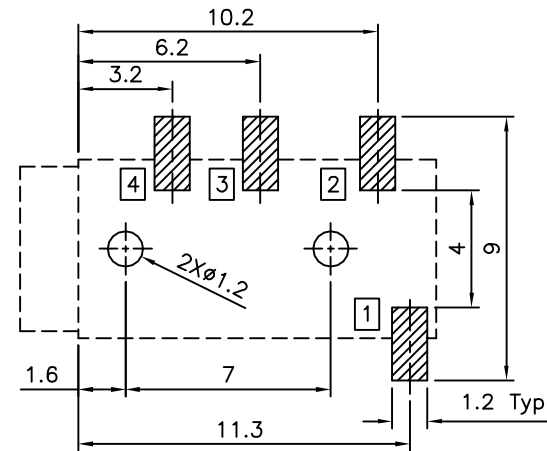
Rating:DC 30V 0.5A
 Contact Resistance:50 Milliohms Max.
 After Test:100 Milliohms Max.
 Insulation Resistance:100 Megaohms Min. (500V DC)
 After Test:50 Megaohms Min.
 Withstand Voltage:500V AC
 Insertion And Extraction Force:3N~30N
 Life Test:5000 Cycles Min.
 Operation Temperature Range:-20°C~+70°C
 Preservative Temperature Range:-40°C~+85°C
 RoHS Compliant



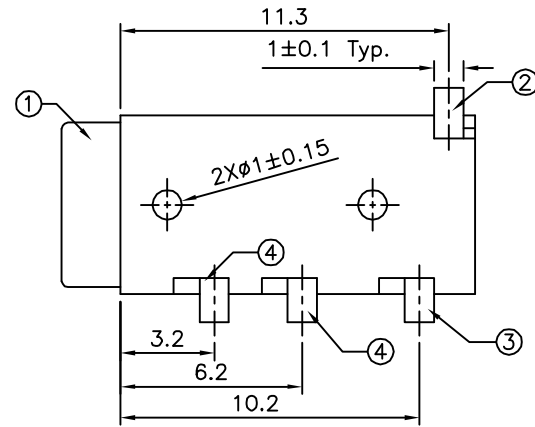
△△



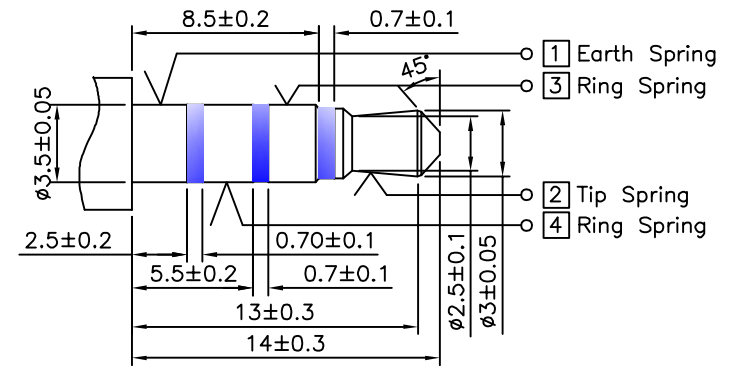
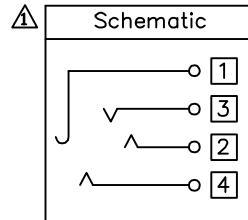
△△



△ Recommended P.C.B. Layout(Top View)
 (PCB Board Tolerance±0.05)



△△



△△ Matching Plug

No.	Description	Q'ty	Material	Remark
④	Ring Spring ③&④	2	Phosphor Bronze	Silver Plated
③	Tip Spring ②	1	Phosphor Bronze	Silver Plated
②	Earth Spring ①	1	Stainless Steel	Silver Plated
①	Housing	1	PA9T	Black

DRAWING No.		APPROVED BY		UNLESS OTHERWISE SPECIFIED TOLERANCES ARE △ X. ±0.3 △.X ±0.3 △.XX ±0.3 ANG. ±2°
20153		MEI		
		CHECKED BY HZF		
		DRAWING BY GAO		
SCALE	NONE	REV.	A3	UNIT mm

NO.	REV.	REVISIONS	CHK	DATE
△A3		Modify Data	HZF	03/30/2013
△A2		Modify Data	HZF	07/18/2011
△A1		Modify Data	HZF	08/31/2010
△A0		NEW RELEASE	HZF	01/14/2007