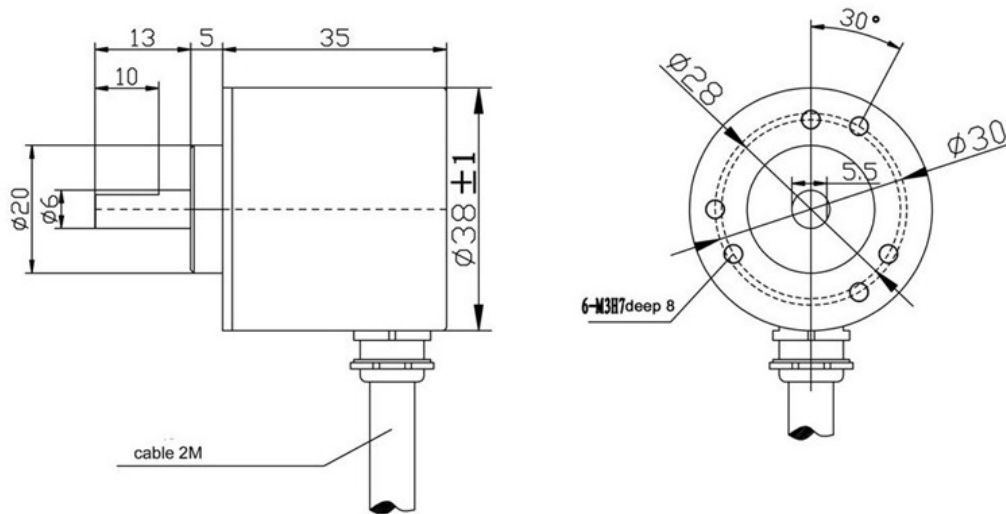


Dimensional Drawing



- Caution for Safe use -

1. Installation:-

This unit consists of precision components. If you drop this unit, it may lose the function. Please treat this product carefully. When you install this unit, if eccentricity and deflection angle are larger, load is applied to the shaft it may shorten the life cycle of this unit. Do not put strong impact with hammer, while inserting coupling into shaft.

2. For use

Do not cut or connect circuit when power is ON. It may cause damage to the unit. When the power source is Switching Power, it may cause surge. Install a surge absorber in Power line. Wire should be shorter in order not to be influenced by noise. Do not splash water, oil etc. cover the protecting hood when necessity.

3. Environment

Please do not use this unit with below environment, or it may cause malfunction. Do not Place this unit or component where it may be damaged by strong vibration or impact. Do not Place where there is a lot of flammable or corrosive gases. Do not Place where strong magnet field or electric noise occurs. Do not use it beyond rated temperature or humidity. Do not place under direct ray of the sun.

4. Vibration & Impact

If a big impact or strong vibration applies to the product it may cause pulse errors, be sure of that while installing this unit. Encoder with high resolution can be easily affected by vibration, so tighten fixing bracket before installing unit.

5. Wire Connection

Don't pull out the wire with over 30N strength after installing the unit or wiring the cable. If wire encoder cable with high voltage line or power cable is in the same conduit, it may cause a Malfunction or mechanical problem. Please wire it separately or use separated conduit.