

USB MALE CONNECTORS

Specifications

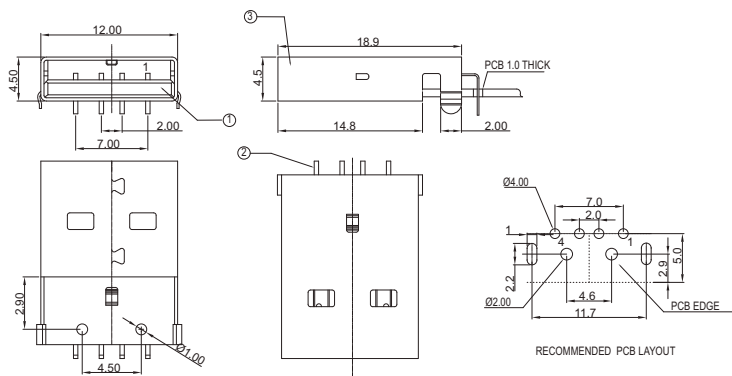
Voltage Rating	: 250 V AC Min
Current Rating	: 1.5 A
Contact Resistance	: 30mΩ max.
Insulation Resistance	: 1000MΩ min. At 500 V DC
Dielectric Withstanding	: 750 V AC (rms)\ for 1 min
Temperature Range	: -40°C To +60°C
Durability (life Test)	: 1500 Cycles
Insertion Force	: 35 N max
Extraction Force	: 10 N min

Material & Finish :

Contact	: Copper Alloy, Selective Gold Plated
Insulator	: PBT UL 94V-0 (through Hole) Nylon PA9T (SMT)
Shell	: Brass, Nickel Plated

USB A TYPE, Right Angle

UA7853



USB A TYPE, Right Angle Surface Mount

UA7865

