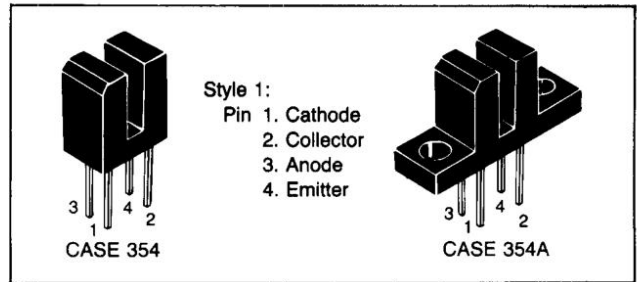


# Couplers/Interrupters

## Slotted Couplers/Interrupter Modules

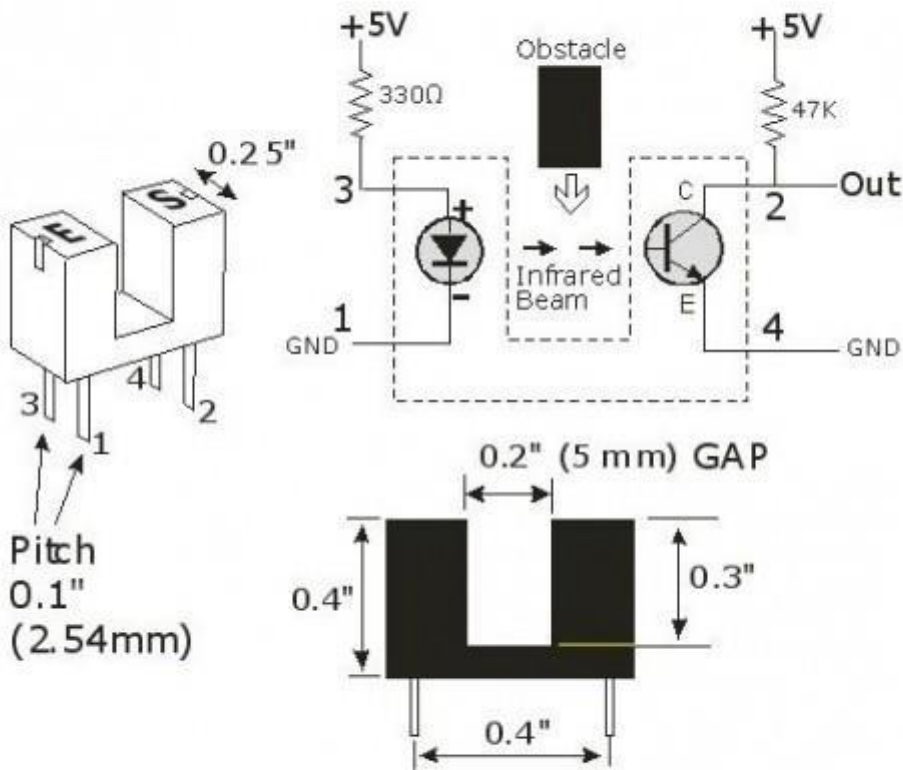
Slotted couplers consist of an infrared emitting diode facing a photodetector in a molded plastic housing. A slot in the housing between the emitter and the detector provides a means of interrupting the signal. A wide selection of standard and custom housings and detector functions is available. All IREDs and photodetectors in the miniature Case 349 (see Silicon Photodetectors) can be used in these housings.



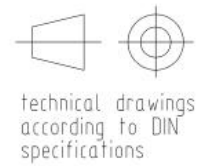
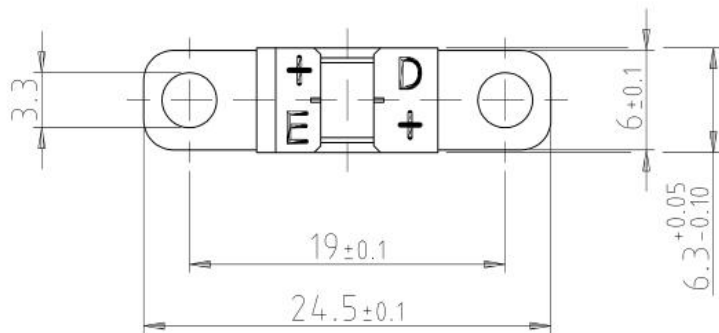
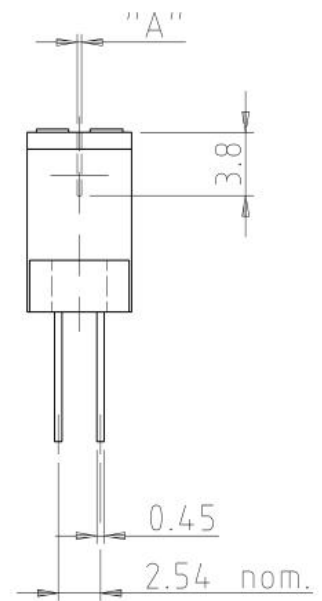
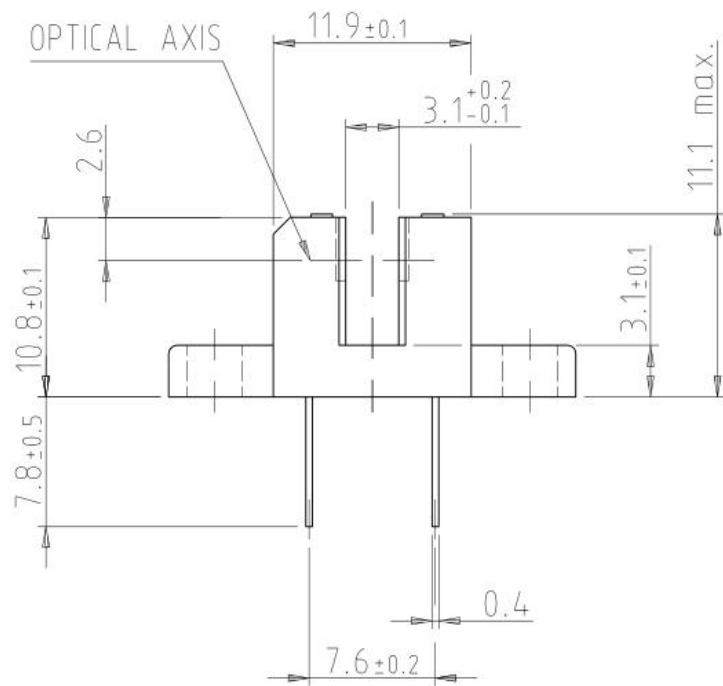
Transistor Output ( $V_{(BR)CEO} = 30\text{ V}$ )

Device	Current Transfer Ratio (CTR)			$V_{CE(sat)}$			$t_{on}, t_{off}^*$ Typ			$V_F$		Case	
	% Min	@ $I_F$ mA	$V_{CE}$ Volts	Volts Max	@ $I_F$ mA	$I_C$ mA	$\mu s$	$V_{CC}$ Volts	$R_L$ $\Omega$	$I_F$ mA	Volts Max @ $I_F$ mA		
MOC7811	5.0	20	5.0	0.4	30	1.8	12/60	5.0	2.5K	30	1.8	50	354A Style 1
MOC7812	10	20	5.0	0.4	20	1.8	12/60	5.0	2.5K	30	1.8	50	
MOC7813	20	20	5.0	0.4	20	1.8	12/60	5.0	2.5K	30	1.8	50	
MOC7821	5.0	20	5.0	0.4	30	1.8	12/60	5.0	2.5K	30	1.8	50	354 Style 1
MOC7822	10	20	5.0	0.4	20	1.8	12/60	5.0	2.5K	30	1.8	50	
MOC7823	20	20	5.0	0.4	20	1.8	12/60	5.0	2.5K	30	1.8	50	

## Package/ Case:



**Dimension in mm:**



weight: ca. 0.90g

96 12095